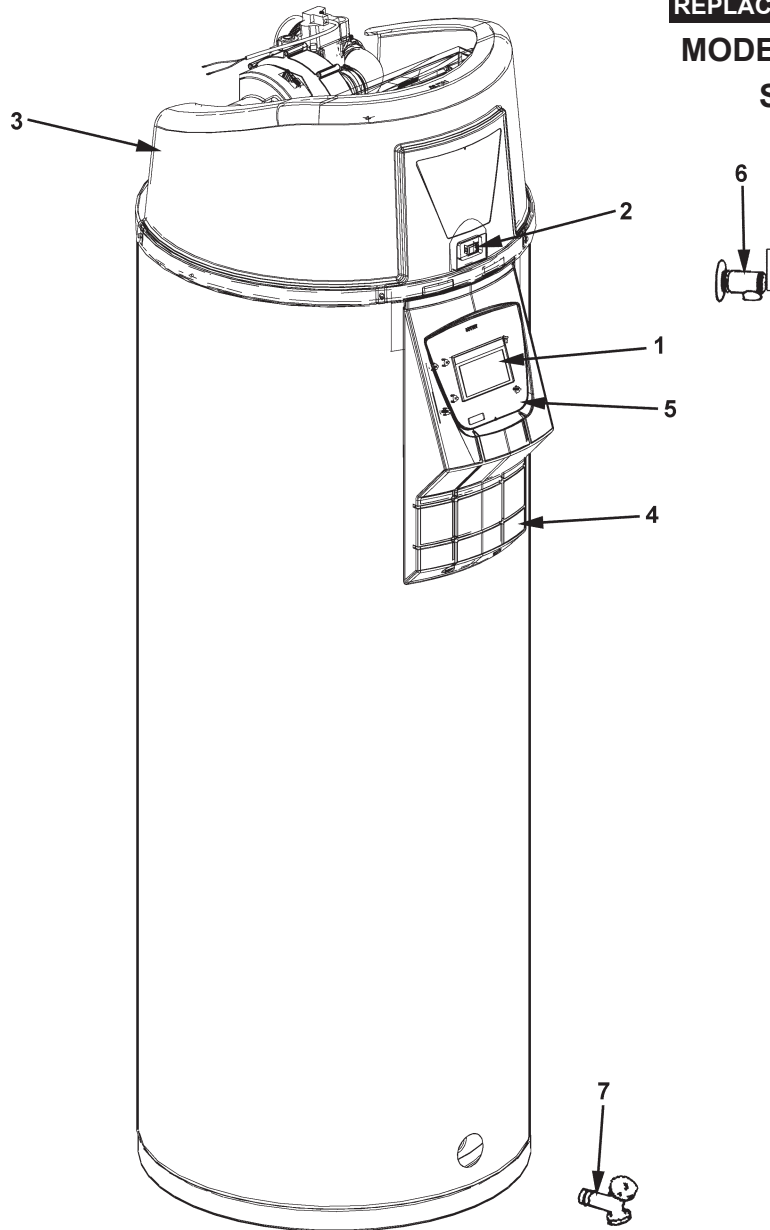


COMMERCIAL WATER HEATERS

**REPLACEMENT PARTS LIST**

**MODELS: SHE50 100**

**SERIES 100/101**

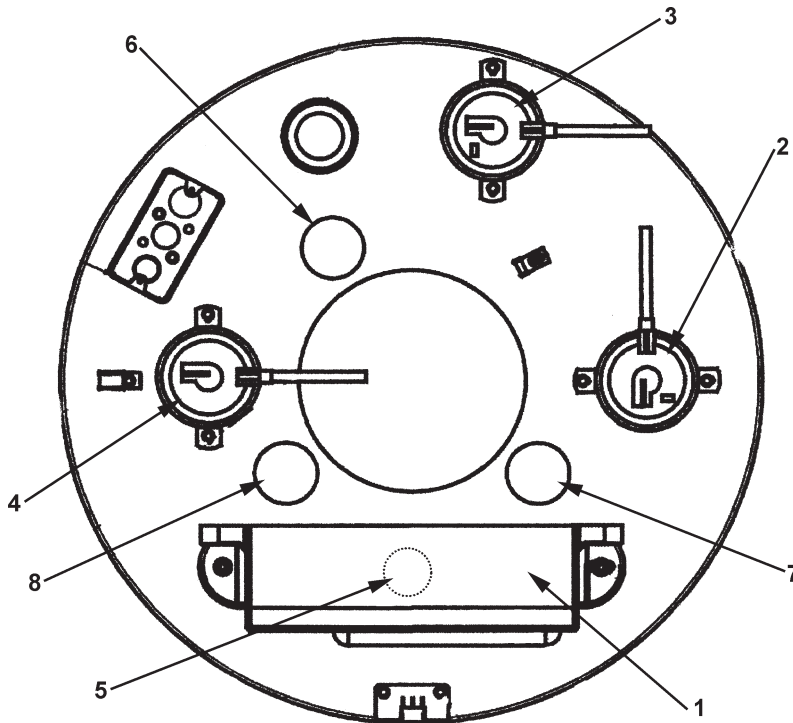


Item	Description	Kit Number
1	Display Board	9006412
2	Power Switch	9005980
3	Plastic Top	9005978
4	Plastic Enclosure	9006414
5	Display Label	9006416
6	T&P Valve	9003917
7	Drain Valve	9003906

## TOP COVER CONTROL ASSEMBLY

Item	Description	100/101 Series
1	Controller	9006418
2	Switch-Blocked Outlet	9006421
3	Switch-Blocked Inlet	9005972
4	Switch-Fan Prover	9004586
5	Upper Temperature Probe	9004238
6	Anode	9004335
7	Inlet Tube	9006422
8	Outlet Nipple	9005981

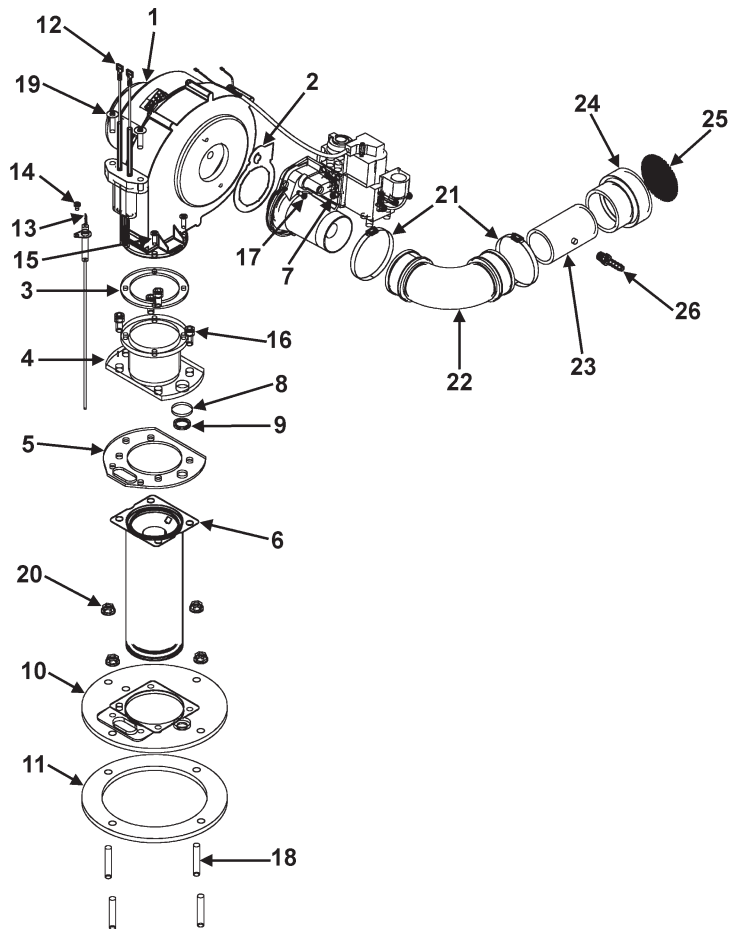
Standard hardware items may be purchased locally.



## BLOWER/BURNER ASSEMBLY

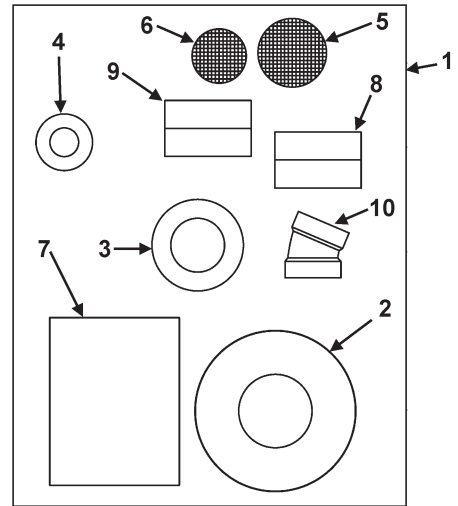
Item	Description	100 Series	101 Series
1	Blower	9006423	9006423
2	Venturi Gasket	197789-000	197789-000
3	Blower Gasket	197618-000	197618-000
4	Blower Adapter	197607-000	197607-000
5	Burner Gasket	197257-000	197257-000
6	Burner Assembly	9006424	9006424
7	Gas Valve/Venturi Assembly	9006425	9006426
8	Observation Window	9006102	9006102
9	Observation Window Gasket	9006103	9006103
10	Burner Flange	197611-000	197611-000
11	Burner Flange Gasket	194817-000	194817-000
12	Igniter	9006101	9006101
13	Flame Sensor Rod	9006106	9006106
14	Machine Screw*	191937-003	191937-003
15	Socket Buttonhead Cap Screw*	197615-000	197615-000
16	Socket Head Cap Screw*	192515-000	192515-000
17	Fan/Venturi Screw	197790-000	197790-000
18	1-3/4" x 5/16" - 18 Alloy Stud	196881-000	196881-000
19	Machine Screw*	194816-000	194816-000
20	Locknut-5/16-18*	196882-000	196882-000
21	Hose Clamp*	196813-001	196813-001
22	1.50" 90 Degree Rubber Elbow*	197814-000	197814-000
23	1.50" x 3" PVC Pipe with 1/4" Tap Hole	197815-000	197815-000
24	1.50" x 2.00" PVC Adapter*	197816-000	197816-000
25	2" Wire Screen	182885-000	182885-000
26	Hose Barb	192800-001	192800-001

\* Standard hardware items may be purchased locally.



## ENVELOPE WITH PARTS

Item	Description	100/101 Series
1	Vent Kit with All Components	9006427
2	Wall Plate 4"	Included in Kit
3	Wall Plate 3"	Included in Kit
4	Wall Plate 2"	Included in Kit
5	Wire Screen 4"	Included in Kit
6	Wire Screen 3"	Included in Kit
7	Intruccion Sheet	Included in Kit
8	Instruction Tag - Wire Screen f/e 4"	Included in Kit
9	Instruction Tag - Wire Screen f/e 3"	Included in Kit
10	Vent Terminal	Included in Kit



## EXHAUST ELBOW ASSEMBLY

Item	Description	100/101 Series
1	Exhaust Elbow Assembly	9006428
2	Tee - 3/4" NPT	Included in Kit
3	Hose Adapter	Included in Kit
4	Hex Plug	Included in Kit
5	3/4" Pipe Nipple	Included in Kit
6	2" Schedule 40 PVC Elbow with 3/4" Fitting	Included in Kit
7	Hose Barb	Included in Kit

