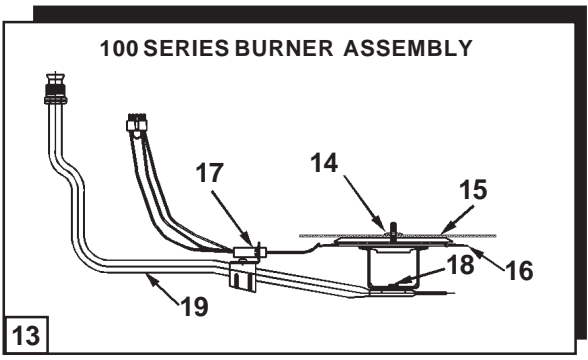
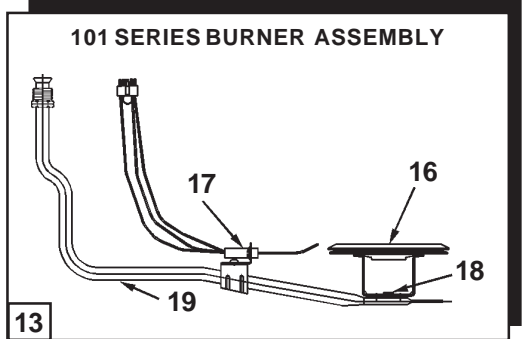
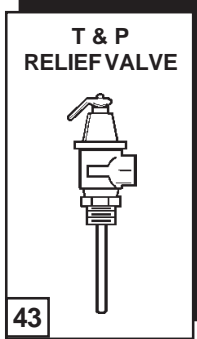
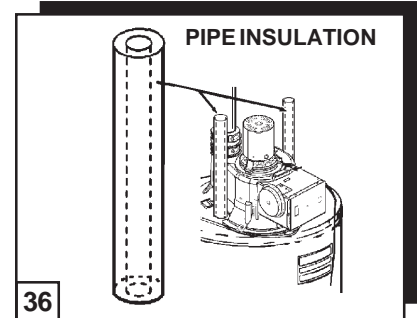
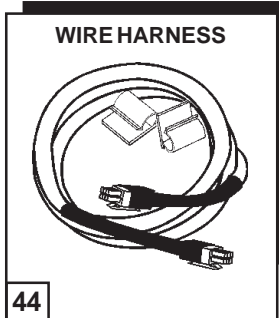
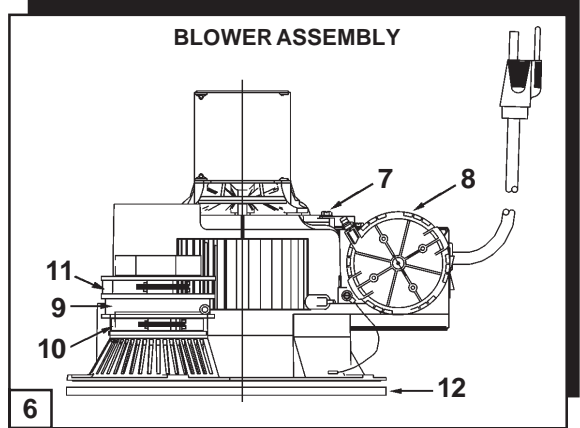
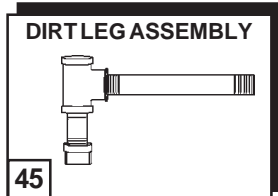
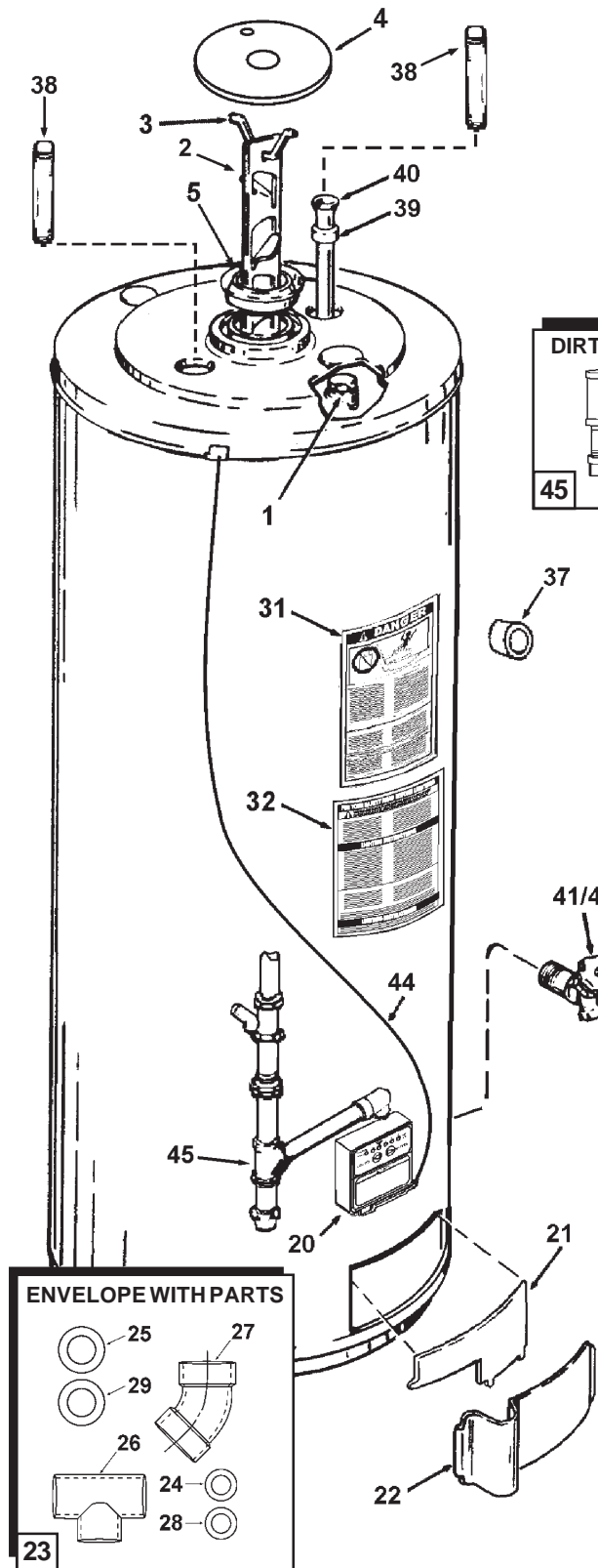


RESIDENTIAL WATER HEATER PARTS LIST
MODELS PR6 40/50 XCVIT, CCVIT 100/101
PR6 40/50 XCVIT 2, CCVIT 2



STATE WATER HEATERS
500 Lindahl Parkway
Ashland City, TN 37015
www.statewaterheaters.com

Item	Description	PR6 40 CCVIT 2 101	PR6 40 XCVIT 2 100	PR6 50 CCVIT 2 101
1	Anode, Aluminum Alloy	183523-26	183523-26	183523-29
2	Baffle, Flue	181382	181382	181382
3	Baffle, Hanger	181360-2	181360-2	181360-2
4	Plate, Flue Restrictor	183482	183482	183482
5	Ring, Flue Restrictor	34894-1	34894-1	34894-1
6	Blower Assembly	183505-000	183505-000	183505-000
7	Limit Switch	183380-2	183380-2	183380-2
8	Pressure Switch	185135-000	185135-000	185135-000
9	Adapter, Exhaust	183508	183508	183508
10	Hose Clamp, 3 1/2"	183545	183545	183545
11	Hose Clamp, 4"	183545-1	183545-1	183545-1
12	Blower Assembly Gasket	185106-000	185106-000	185106-000
13	Burner Assembly, Natural Gas	- - - -	184052-2	- - - -
13	Burner Assembly, Propane Gas	184050-10	- - - -	184050-11
14	Hex Nut	- - - -	183717	- - - -
15	NOx Screen	- - - -	183619	- - - -
16	Burner, Main - Natural	- - - -	183630	- - - -
16	Burner, Main - Propane	183325	- - - -	183325
17	Igniter Assembly, Hot Surface	184047	184047	184047
18	Orifice, Main Burner - Natural	- - - -	181508-31	- - - -
18	Orifice, Main Burner - Propane	181791-50	- - - -	181791-48
19	Burner Tube Assembly - Natural	- - - -	184051-2	- - - -
19	Burner Tube Assembly - Propane	184049-2	- - - -	184049-3
20	Combination Gas Valve - Natural	- - - -	183760-2	- - - -
20	Combination Gas Valve - Propane	183760-3	- - - -	183760-3
21	Door, Inner	183491	183491	183491
22	Door, Outer	180522	180522	180522
23	Envelope with Parts	183509-002	183509-002	183509-002
24	Wall Plate, 2"	182787	182787	182787
25	Wall Plate, 3"	181557	181557	181557
26	Vent Terminal Assembly, 2"	183571	183571	183571
27	Vent Terminal, 3"	192815	192815	192815
28	2" Vent Terminal Restrictor	184501-000	184501-000	184501-000
29	3" Vent Terminal Restrictor	184502-000	184502-000	184502-000
*30	Label, Electrical Diagram	183765	183765	183765
31	Label, Flammable Vapor/Scald Warning	183301	183301	183301
32	Label, Lighting & Operating Instruction	183764	183764	183764
*33	Label, Relief Valve	180078	180078	180078
*34	Label, Temperature	182734	182734	182734
*35	Owner's Manual	184674-001	184674-001	184674-001
36	Pipe Insulation, 2'	181639-003	181639-003	181639-003
37	Insulation, T & P	183256-000	183256-000	183256-000
38	Heat Trap Nipples	184715-003	184715-003	184715-003
39	Spacer, Inlet Tube	184011-000	184011-000	184011-000
40	Tube, Inlet	183359-41	183359-41	183359-45
41	Valve, Drain - Brass	26273-6	26273-6	26273-6
42	Valve, Drain - Plastic	42037-3	42037-3	42037-3
43	Valve, T & P Relief	43151-2	43151-2	43151-2
44	Wire Harness	183506-1	183506-1	183506-1
45	Dirt Leg Assembly	181206-1	181206-1	181206-1

* Not illustrated.

PR6 50 XCVIT 2 100	PR6 40 CCVIT 101	PR6 40 XCVIT 100	PR6 50 CCVIT 101	PR6 50 XCVIT 100
183523-29	183523-26	183523-26	183523-29	183523-29
181382	181382	181382	181382	181382
181360-2	181360-2	181360-2	181360-2	181360-2
183482	183482	183482	183482	183482
34894-1	34894-1	34894-1	34894-1	34894-1
183505-000	183505-000	183505-000	183505-000	183505-000
183380-2	183380-2	183380-2	183380-2	183380-2
185135-000	185135-000	185135-000	185135-000	185135-000
183508	183508	183508	183508	183508
183545	183545	183545	183545	183545
183545-1	183545-1	183545-1	183545-1	183545-1
185106-000	185106-000	185106-000	185106-000	185106-000
184052-3	- - - -	- - - -	- - - -	184052-1
- - - -	184050-2	184052	184050-3	- - - -
183717	- - - -	183717	- - - -	183717
183619	- - - -	183619	- - - -	183619
183630	- - - -	183630	- - - -	183630
- - - -	183325	- - - -	183325	- - - -
184047	184047	184047	184047	184047
181508-31	- - - -	181508-31	- - - -	181508-31
- - - -	181791-48	- - - -	181791-48	- - - -
184051-3	- - - -	184051	- - - -	184051-1
- - - -	184049	- - - -	184049-1	- - - -
183760-2	- - - -	183760	- - - -	183760
- - - -	183760-1	- - - -	183760-1	- - - -
183491	183491	183491	183491	183491
180522	180522	180522	180522	180522
183509-002	183509-002	183509-002	183509-002	183509-002
182787	182787	182787	182787	182787
181557	181557	181557	181557	181557
183571	183571	183571	183571	183571
192815	192815	192815	192815	192815
184501-000	184501-000	184501-000	184501-000	184501-000
184502-000	184502-000	184502-000	184502-000	184502-000
183765	183765	183765	183765	183765
183301	183301	183301	183301	183301
183764	183764	183764	183764	183764
180078	180078	180078	180078	180078
182734	182734	182734	182734	182734
184674-001	184674-001	184674-001	184674-001	184674-001
181639-003	181639-003	181639-003	181639-003	181639-003
183256-000	183256-000	183256-000	183256-000	183256-000
184715-003	184715-003	184715-003	184715-003	184715-003
184011-000	184011-000	184011-000	184011-000	184011-000
183359-45	183359-41	183359-41	183359-45	183359-45
26273-8	26273-6	26273-6	26273-6	26273-4
42037	42037-3	42037-3	42037-3	42037-1
43151-2	76527-3	76527-3	76527-3	76527-3
183506-1	183506-1	183506-1	183506-1	183506-1
181206-1	181206-1	181206-1	181206-1	181206-1



STATE WATER HEATERS

500 Lindahl Parkway

Ashland City, TN 37015

www.statewaterheaters.com