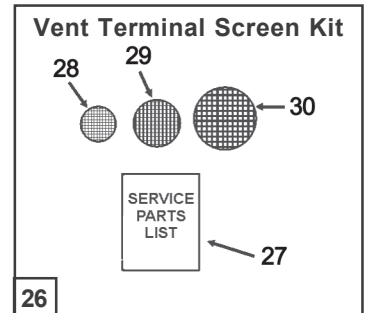
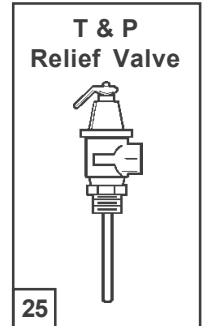
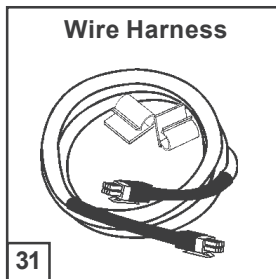
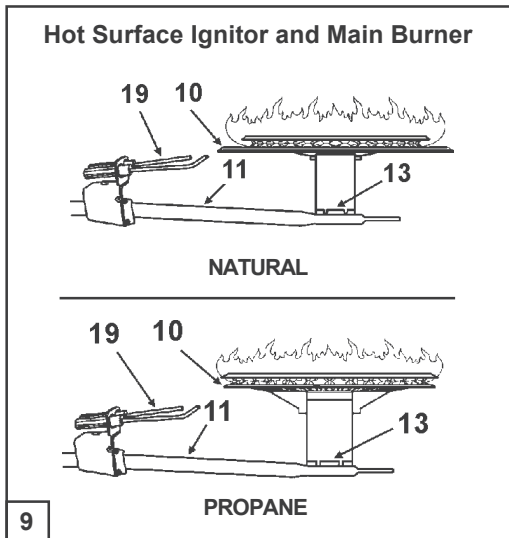
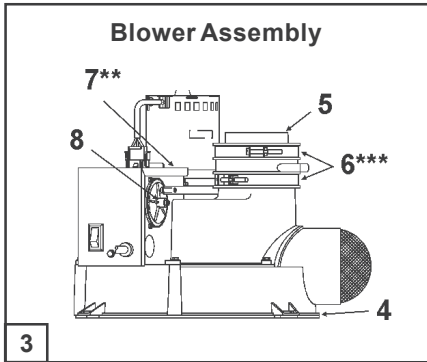
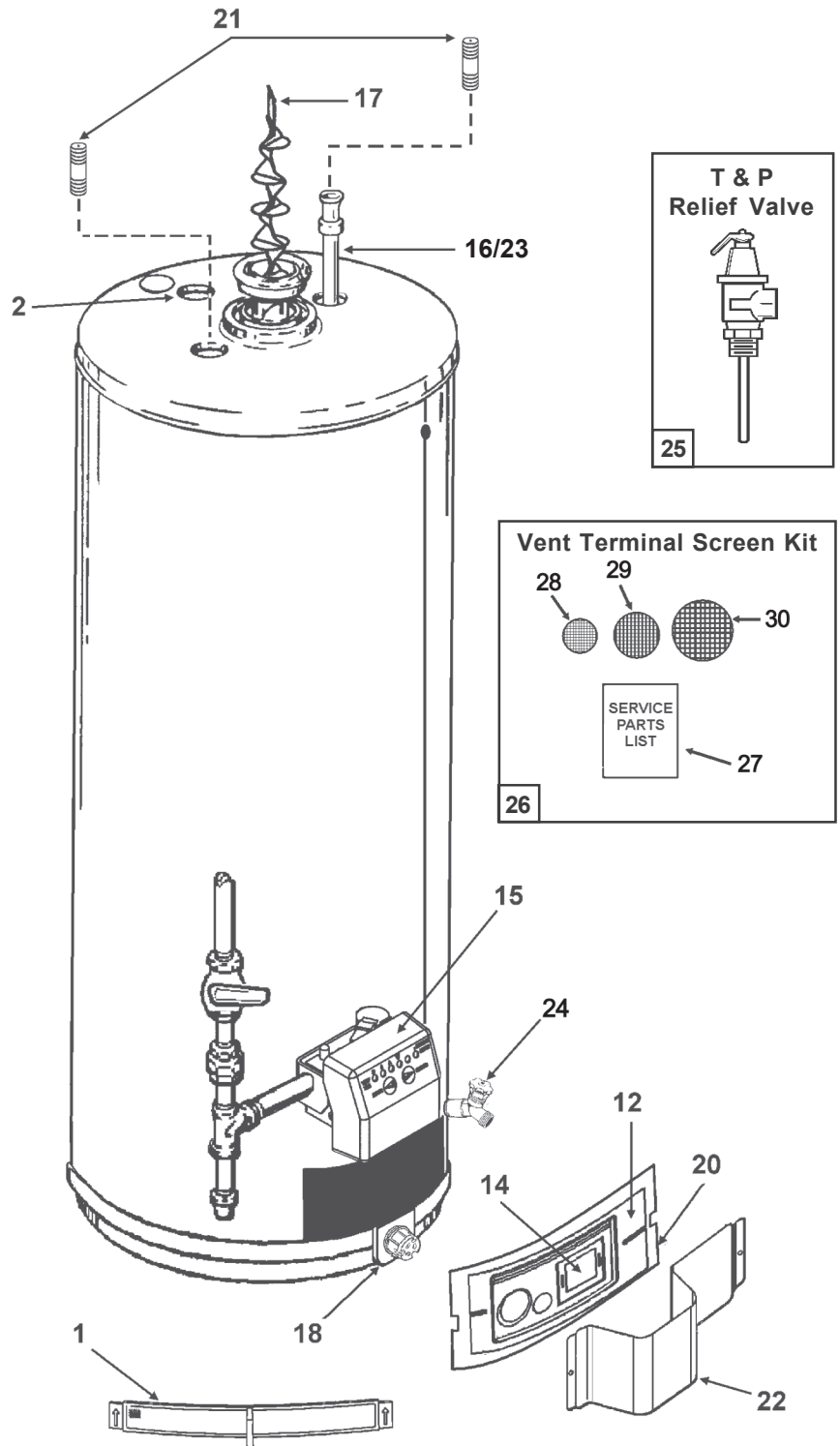




RESIDENTIAL GAS SERVICE PARTS LIST

State Water Heater Parts Fulfillment
 125 Southeast Parkway • Franklin, TN 37068
 www.statewaterheaters.com • 1-800-821-2017

MODELS:
 GS6 40, 50 YBVT/HBVT
 GS6 40, 50 YBVT 2/HBVT 2
 Series 100, 101



Item	Description	GS 6 40 YBVIT 100	GS 6 40 HBVIT 101	GS 6 40 YBVIT 2 100	GS 6 40 HBVIT 2 101
1	Air Intake Screen	9003406005	9003406005	9003406005	9003406005
2	Anode, Aluminum - 6 Year	9003944005	9003944005	9003944005	9003944005
3	Blower Assembly	9004316005	9004316005	9004316005	9004316005
4	Blower Assembly Gasket				
5	Exhaust Adaptor Kit	9006120005	9006120005	9006120005	9006120005
6	Hose Clamp - 4 inch***				
7	Limit Switch**				
8	Pressure Switch Kit	9007122015	9007122015	9007122015	9007122015
9	Burner Assembly - Natural Gas	9005938005	N/A	9005940005	N/A
9	Burner Assembly - Propane Gas	N/A	9005943005	N/A	9005945005
10	Burner Head with Door Gasket				
11	Burner Tube Assembly with Door Gasket				
12	Inner Door with Door Gasket				
13	Orifice, Main Burner with Door Gasket				
14	Viewport Assembly				
15	Combination Gas Valve - Natural	9004240005	N/A	9004267005	N/A
15	Combination Gas Valve - Propane	N/A	9005112005	N/A	9004464005
16	Diffuser Inlet Tube with Spacer	9003447005	9003447005	9003447005	9003447005
17	Flue Baffle and Restrictor Assembly Kit	9006028005	9006028005	9006028005	9006028005
18	FV Sensor and Bracket Kit	9006029015	9006029015	9006029015	9006029015
19	Igniter Assembly, Hot Surface With Door Gasket	9005958005	9005958005	9005958005	9005958005
20	Inner Door Gasket	9003398005	9003398005	9003398005	9003398005
21	Nipples - 5 inch	9003977015	9003977015	9003977015	9003977015
22	Outer Door	9003545005	9003545005	9003545005	9003545005
23	Turbo Inlet Tube with Spacer	9002067005	9002067005	9002067005	9002067005
24	Valve, Drain - Brass	9004330015	9004330015	9001870015	9001870015
25	Valve, T&P Relief	9000071015	9000071015	9000728015	9000728015
26	Vent Terminal Screen Kit	9006027015	9006027015	9006027015	9006027015
27	Instruction Sheet - 2, 3 & 4 inch Screens				
28	Vent Terminal Screen 2 inch				
29	Vent Terminal Screen 3 inch				
30	Vent Terminal Screen 4 inch				
31	Wire Harness	9006022015	9006022015	9006022015	9006022015

** Limit Switch located inside control box of blower assembly.

*** Available at local hardware store.

Parts listed without numbers are available as assemblies.



State Water Heater Parts Fulfillment • 125 Southeast Parkway • Franklin, TN 37068 • 1-800-821-2017 • www.statewaterheaters.com

Item	Description	GS 6 50 YBVIT 100	GS 6 50 HBVIT 101	GS 6 50 YBVIT 2 100	GS 6 50 HBVIT 2 101
1	Air Intake Screen	9003406005	9003406005	9003406005	9003406005
2	Anode, Aluminum - 6 Year	9000029005	9000029005	9000029005	9000029005
3	Blower Assembly	9004316005	9004316005	9004316005	9004316005
4	Blower Assembly Gasket	-----	-----	-----	-----
5	Exhaust Adaptor Kit	9006120005	9006120005	9006120005	9006120005
6	Hose Clamp - 4 inch***	-----	-----	-----	-----
7	Limit Switch**	-----	-----	-----	-----
8	Pressure Switch Kit	9007122015	9007122015	9007122015	9007122015
9	Burner Assembly - Natural Gas	9005939005	N/A	9005941005	N/A
9	Burner Assembly - Propane Gas	N/A	9005944005	N/A	9005946005
10	Burner Head with Door Gasket	-----	-----	-----	-----
11	Burner Tube Assembly with Door Gasket	-----	-----	-----	-----
12	Inner Door with Door Gasket	-----	-----	-----	-----
13	Orifice, Main Burner with Door Gasket	-----	-----	-----	-----
14	Viewport Assembly	-----	-----	-----	-----
15	Combination Gas Valve - Natural	9004240005	N/A	9004267005	N/A
15	Combination Gas Valve - Propane	N/A	9004310005	N/A	9004464005
16	Diffuser Inlet Tube with Spacer	9002547005	9002547005	9002547005	9002547005
17	Flue Baffle and Restrictor Assembly Kit	9006028005	9006028005	9006028005	9006028005
18	FV Sensor and Bracket Kit	9006029015	9006029015	9006029015	9006029015
19	Igniter Assembly, Hot Surface With Door Gasket	9005958005	9005958005	9005958005	9005958005
20	Inner Door Gasket	9003398005	9003398005	9003398005	9003398005
21	Nipples - 5 inch	9003977015	9003977015	9003977015	9003977015
22	Outer Door	9003545005	9003545005	9003545005	9003545005
23	Turbo Inlet Tube with Spacer	9003473005	9003473005	9003473005	9003473005
24	Valve, Drain - Brass	9004330015	9004330015	9001870015	9001870015
25	Valve, T&P Relief	9000071015	9000071015	9000728015	9000728015
26	Vent Terminal Screen Kit	9006027015	9006027015	9006027015	9006027015
27	Instruction Sheet - 2, 3 & 4 inch Screens	-----	-----	-----	-----
28	Vent Terminal Screen 2 inch	-----	-----	-----	-----
29	Vent Terminal Screen 3 inch	-----	-----	-----	-----
30	Vent Terminal Screen 4 inch	-----	-----	-----	-----
31	Wire Harness	9006022015	9006022015	9006022015	9006022015

** Limit Switch located inside control box of blower assembly.

*** Available at local hardware store.

Parts listed without numbers are available as assemblies.



State Water Heater Parts Fulfillment • 125 Southeast Parkway • Franklin, TN 37068 • 1-800-821-2017 • www.statewaterheaters.com



State Water Heater Parts Fulfillment
125 Southeast Parkway • Franklin, TN 37068
www.statewaterheaters.com
phone: 1-800-821-2017