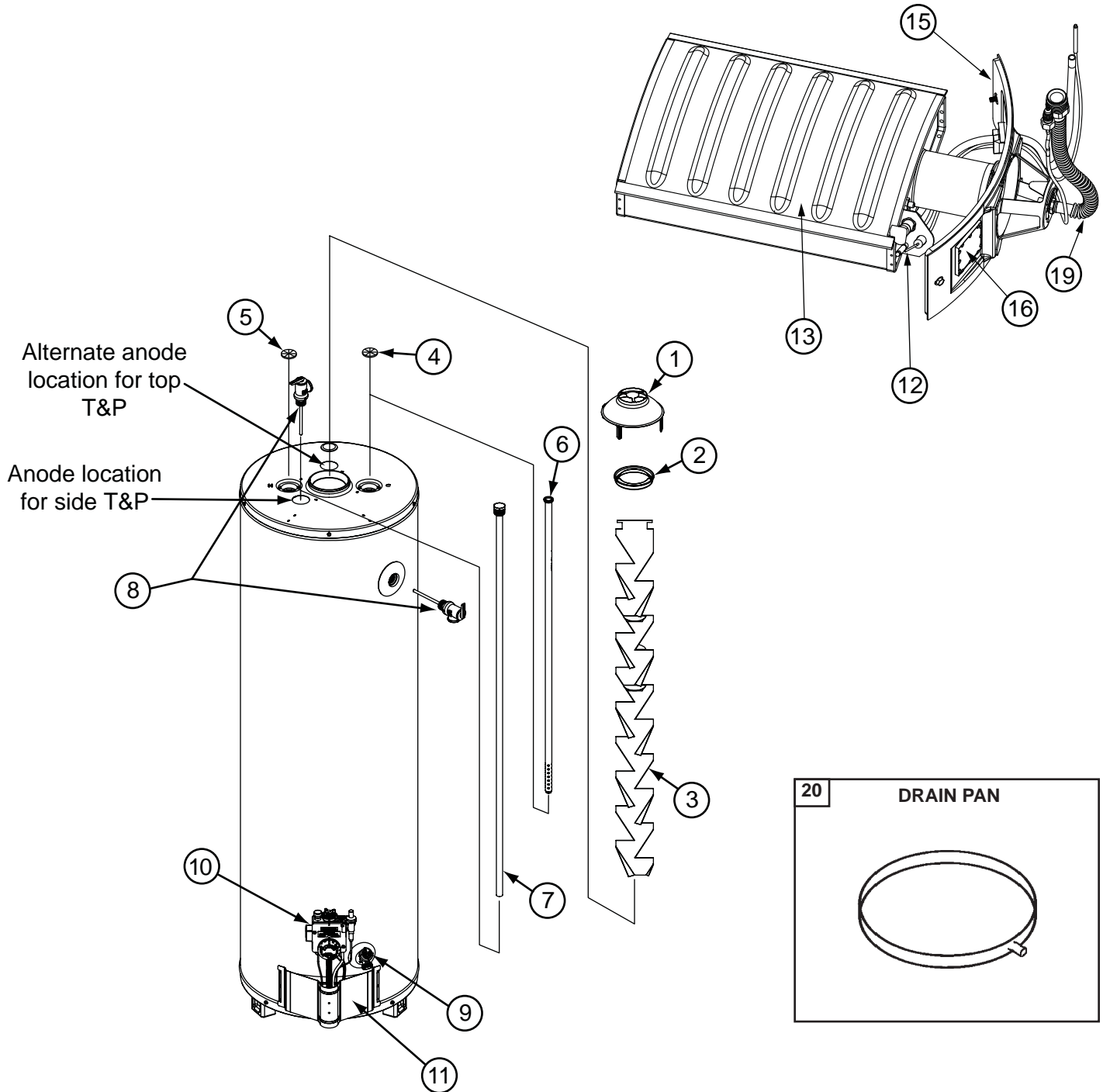


**RESIDENTIAL WATER HEATER PARTS LIST**  
**MODELS\*: GS630UORT100**  
**GS640UBRT100, GS650UBRT100,**  
**GS640UOCT100 & GS650UOCT100**

\* NOTE: Top T&P models use same parts indicated for standard models.



Item	Description	GS630UORT100	GS640UBRT100	GS650UBRT100	GS640UOCT100	GS650UOCT100
1	Drafthood	700795-020	700795-020	700795-020	700795-020	700795-020
2	Reducer Ring - Some Models	-----	700795-021	700795-021	700795-021	700795-021
3	Flue Baffle	9006435005	9006436005	9006437005	9006436005	9006437005
4	Heat Trap (Cold)	9003915015	9003915015	9003915015	9003915015	9003915015
5	Heat Trap (Hot)	9003915015	9003915015	9003915015	9003915015	9003915015
6	Cold Water Dip Tube	9006431005	9006431005	9006431005	9006431005	9006431005
7	Anode Rod	9003892005	9003892005	9003892005	9003892005	9003892005
8	Temperature & Pressure Relief Valve (Located Top Or Side)*	9000728015	9000728015	9000728015	9000728015	9000728015
9	Drain Valve Brass	9001870015	9001870015	9001870015	9001870015	9001870015
10	Gas Control Valve/Thermostat	9006438005	9006439005	9006439005	9006440005	9006440005
11	Outer Door	700795-018	700795-018	700795-018	700795-018	700795-018
12	Pilot Assembly Kit (Natural Gas)	9006441005	9006441005	9006441005	9006441005	9006441005
13	Burner/Door Assembly	9006442005	9006443005	9006444005	9006443005	9006444005
14	Two Piece Wire Connector With Retainer Clip	9006449015	9006449015	9006449015	9006449015	9006449015
15	Burner Door Gasket	9006141015	9006141015	9006141015	9006141015	9006141015
16	Viewport Assembly	9006142015	9006142015	9006142015	9006142015	9006142015
17	Thermocouple	9000056015	9000056015	9000056015	9000056015	9000056015
18	Piezoelectric Igniter Button	9006143015	9006143015	9006143015	9006143015	9006143015
19	Flexible Manifold Tube	9006445015	9006445015	9006445015	9006445015	9006445015
20	20" Dia Aluminum Drain Pan w/Side Drain (optional)	23912A	23912A	-----	-----	-----
20	22" Dia Aluminum Drain Pan w/Side Drain (optional)	-----	-----	23913A	-----	-----
20	28" Dia Aluminum Drain Pan w/Side Drain (optional)	-----	-----	-----	23914A	23914A

\* NOTE: Top T&P models use same parts indicated for standard models.



**STATE WATER HEATERS**  
500 Tennessee Waltz Parkway, Ashland City, TN 37015  
Phone: 800-821-2017 Fax: 800-644-9306  
www.statewaterheaters.com