



COMMERCIAL-GRADE RESIDENTIAL GAS WATER HEATERS

PROLINE® ATMOSPHERIC VENT

INTELLIGENT CONTROL LOGIC

- The internal microprocessor provides enhanced operating parameters and tighter differentials for precise sensing and faster heating response to optimize performance.
- Uses a thermopile to generate the power needed to operate the electronic gas control without requiring an external power source.
- The electronic gas control incorporates an LED status indicator that monitors system operation and service diagnostics.
- *Not available on 60,000 BTU input models (GS6 50 XCT and GS6 55 XCT).

GREEN CHOICE® GAS BURNER

- Patented eco-friendly burner design reduces NOx emissions by up to 33% and complies with Low-NOx emission requirements of less than 40 ng/J.

SELF CLEANING DIP TUBE

- Reduces lime and sediment buildup and maximizes hot water output. Made from long-lasting PEX cross-linked polymer.

COREGARD™ ANODE ROD

- Our anode rods have a stainless steel core that extends the life of the anode rod allowing superior tank protection far longer than standard anode rods.

PUSH-BUTTON PIEZO IGNITOR

- Makes lighting the pilot fast and easy with one-hand push-button spark ignition.

HEAT TRAP NIPPLES

- Factory-installed for faster installation.

BLUE DIAMOND® GLASS COATING

- Provides superior corrosion resistance compared to industry standard glass lining.

ENHANCED-FLOW BRASS DRAIN VALVE

- Our residential water heaters have a solid brass, tamper resistant, enhanced-flow, ball type, drain valve.
- Uses a standard female hose fitting that allows for fast and easy draining during maintenance.
- Designed for easy operation, this valve includes an integral screwdriver slot that features a 1/4 turn (open/close) radius, which not only permits full straight-through water flow but also a quick and positive shut off.

CODE COMPLIANCE

- Meets UBC, CEC and HUD National Codes.
- Meets the thermal efficiency and standby loss requirements of the U. S. Department of Energy and current edition of ASHRAE/IES 90.1
- Complies with the Federal Energy Conservation Standards effective April 16, 2015, in accordance with the Energy Policy and Conservation Act, (EPCA), as amended.

HIGH ENERGY FACTORS

- Eco-Friendly non-CFC foam insulation, external heat traps and specially designed combustion chamber combine to produce a high Energy Factor for maximum savings on operating costs.

CSA CERTIFIED AND ASME RATED T&P RELIEF VALVE

MAXIMUM HYDROSTATIC WORKING PRESSURE 150 PSI

DESIGN-CERTIFIED BY CSA INTERNATIONAL

- Certified at 300 psi test pressure and 150 psi working pressure. Listed according to ANSI Z21.10.1-CSA 4.1 standards governing storage tank-type water heaters.

6-YEAR LIMITED TANK AND PARTS WARRANTY

- For complete information, consult written warranty or State Water Heaters.



FLAMMABLE VAPOR IGNITION RESISTANT COMPLIANT DESIGN

SOLID. STATE.



Model Number	Gallon Capacity	First Hour Rating Gallon	Energy Factor	BTU Input Natural Gas	BTU Input Propane Gas	Recovery 90°F Rise Gallon Per Hour	Dimensions in Inches									Approx. Shipping Weight (lbs)
							A	B	C	D	E	F	*G	*H	Draft Hood	
TALL MODELS																
†GS6 30 ORBT	30	64	0.63	35,500	32,000	37	61-1/2	58	16	12-1/4	8	51-3/4	N/A	N/A	3 or 4	123
GS6 30 OCT	30	67	0.63	35,500	32,000	37	61-1/2	58	18	12-1/4	8	51-3/4	N/A	N/A	3 or 4	132
‡GS6 40 OCT	40	67	0.62	35,500	N/A	38	61-3/4	58-1/4	20	12-1/4	8	52	N/A	N/A	3 or 4	138
†GS6 40 BRBT	40	70	0.62	40,000	36,000	42	61-3/4	58-1/4	18	12-1/4	8	52	N/A	N/A	3 or 4	130
GS6 40 BCT*	40	70	0.62	40,000	36,000	42	61-3/4	58-1/4	20	12-1/4	8	52	14-1/4	51-3/4	3 or 4	138
GS6 50 BRT*	50	88	0.60	40,000	37,000	41	60-3/4	57-1/4	21	12-1/4	8	50 1/2	14-1/4	50-1/2	3 or 4	148
GS6 50 BCT*	50	88	0.62	40,000	37,000	43	60-3/4	57-1/4	22	12-1/4	8	50-1/2	14-1/4	50-1/2	3 or 4	165
GS6 50 RCT*	50	92	0.60	50,000	45,000	54	60-3/4	57-1/4	22	12-1/4	8	50-1/2	14-1/4	50-1/2	4	165
†GS6 50 XCT*	50	98	0.60	60,000	54,000	65	65-1/2	61	22	13-1/2	8	54-1/4	14-1/4	54-1/4	4	182
GS6 55 XCT*	55	106	0.59	60,000	54,000	65	59-3/4	55-1/4	24	13-1/2	8	48	14-1/4	48	4	185
SHORT MODELS																
†GS6 30 ORBS	30	56	0.63	35,500	32,000	37	50	46-1/2	18	12	8	40	N/A	N/A	3 or 4	110
GS6 30 OCS	30	62	0.63	35,500	32,000	37	50	46-1/2	20	12	8	40	N/A	N/A	3 or 4	118
†GS6 40 BRBS	40	67	0.62	40,000	36,000	41	51-1/2	48	20	12	8	41-1/4	N/A	N/A	3 or 4	134
GS6 40 BCS	40	68	0.62	40,000	36,000	41	51-1/2	48	22	12	8	41-1/4	N/A	N/A	3 or 4	135
GS6 50 BCS	50	93	0.60	40,000	40,000	43	53-1/4	49-3/4	24	12	8	41-3/8	N/A	N/A	3 or 4	177

Water connection - 3/4" on all models.

*Optional side-mounted recirculating taps, add "L" to the suffix in the model number (GS6 50 BRTL).

†Models ship with supplied insulation blanket.

For 10-year tank and 6-year parts limited warranty, change "6" to "X" in the model number (example: GSX 30 OCT).

All models approved for installation from sea level to 10,100 ft. elevation.

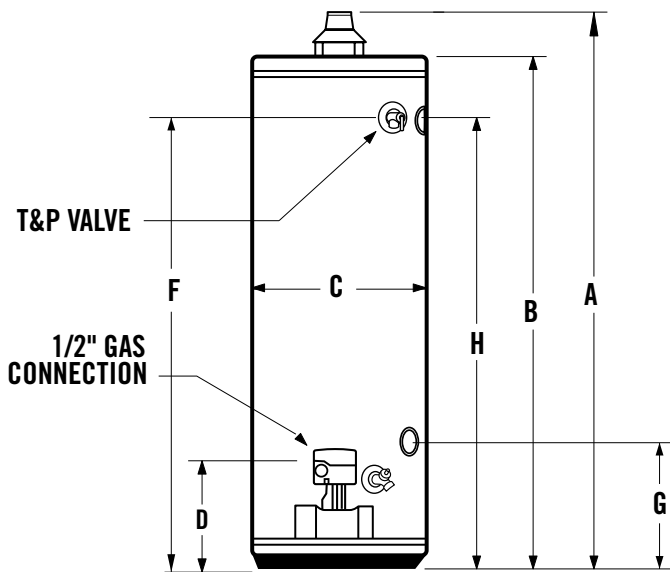
‡LP models not available on GS6 40 OCT.

Dimensions and specifications subject to change without notice in accordance with our policy of continuous product improvement.

FLAMMABLE VAPOR IGNITION RESISTANT (FVIR) WATER HEATERS

State FVIR design meets the American National Standards Institute standards (ANSI Z21.10.1 CSA 4.1) that deal with the accidental or unintended ignition of flammable vapors, such as those emitted by gasoline.

It features a sealed combustion chamber with air intake filter and a flame arrester built into the water heater base. In addition, a thermal cutoff (TCO) device, is designed to shut off gas flow to the burner and pilot if poor combustion is detected.



Maximum Hydrostatic Working Pressure: 150 PSI

