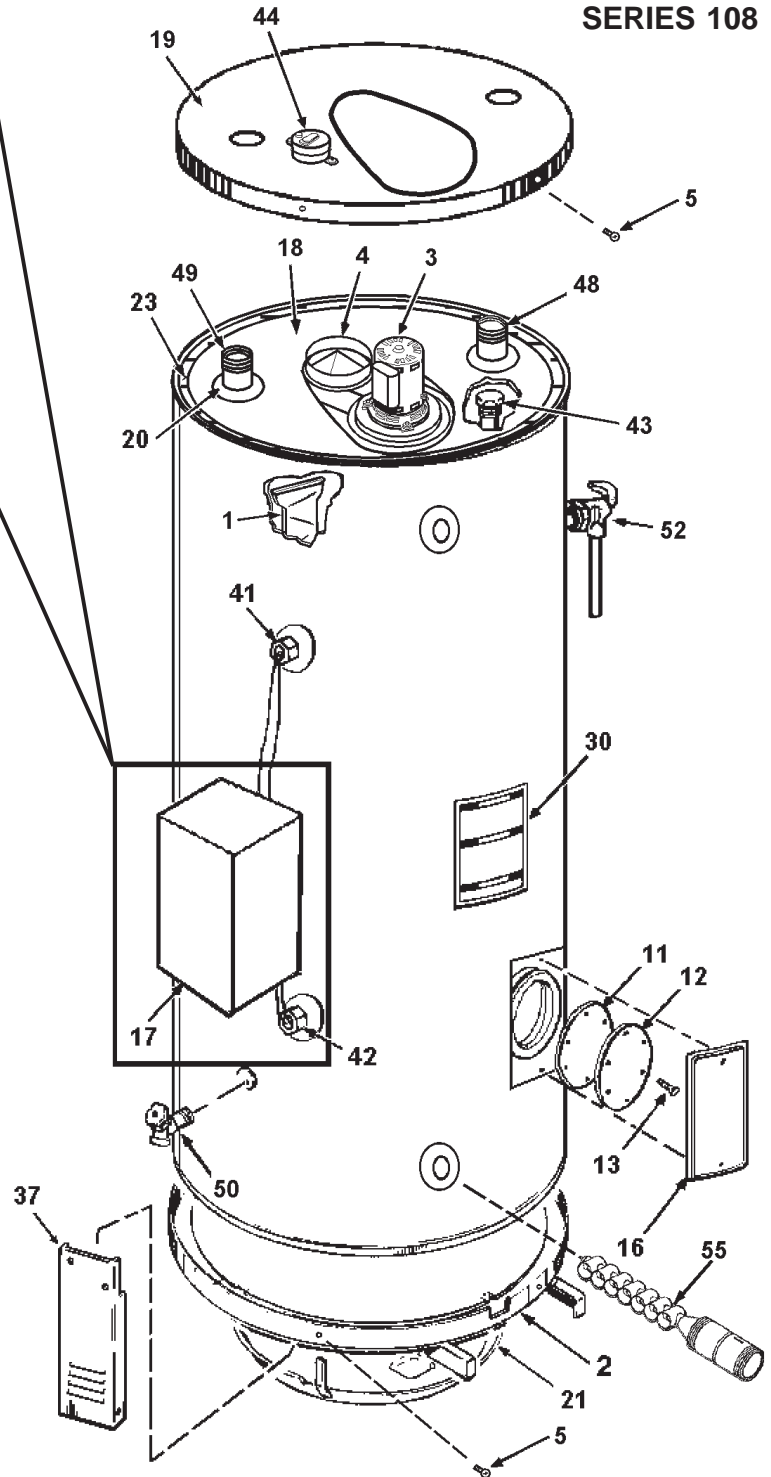
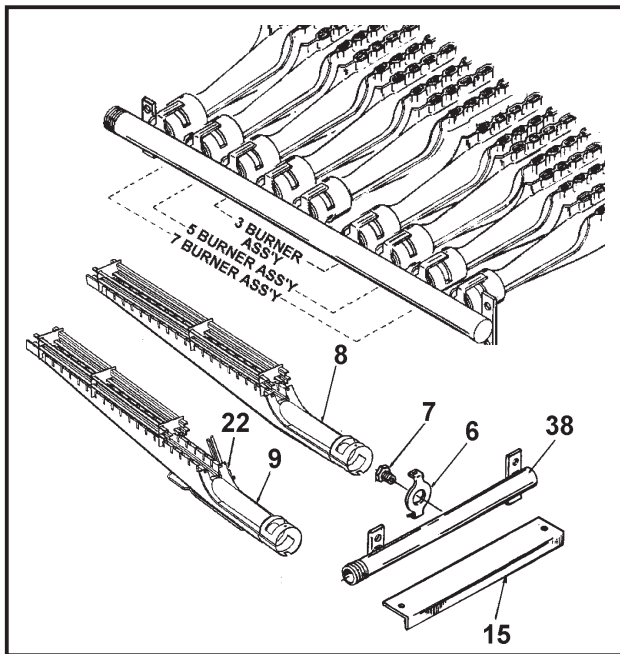
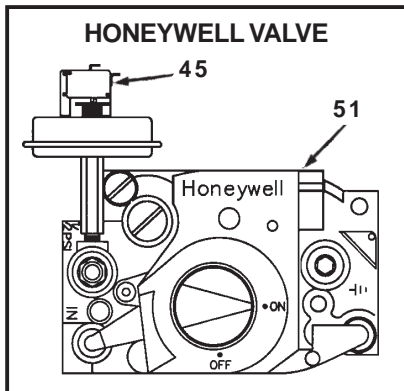
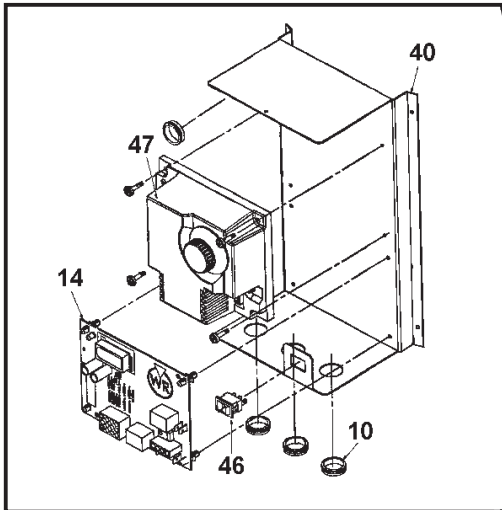


**COMMERCIAL TANK TYPE WATER HEATER  
REPLACEMENT PARTS LIST**

**MODELS SBN71120NE thru SBN85390NE/A:  
STANDARD AND ASME (A)  
SERIES 108**



**STATE WATER HEATERS**  
500 Lindahl Parkway, Ashland City, TN 37015  
Phone: 800-821-2017 • Fax: 800-644-9306  
[www.stateind.com](http://www.stateind.com)

Item	Description	SBN71120NE	SBN81154NE	SBN81180NE	SBN100199NE	SBN100250NE
1	Baffle, Flue	193595-1	192121-1	193595-1	192199-3	192199-4
2	Base, Jacket Assembly	193862	194518	194533	194556	194556
<b>Blower Assembly</b>						
3	Blower	194408	194408	194408	194408	194408
4	Outlet Assembly, Exhaust	194424	194424	194424	194424	194424
*5	Screw, TEK (Jacket-Cover/Base)	194613	194613	194613	194613	194613
6	Burner, Orifice Bracket, Main	98044	98044	98044	98044	98044
7	Burner Orifice, Main	76243-32	76243-30	76243-33	76243-32	76243-30
8	Burner Assembly, Main	194381	194381	194381	194381	194381
9	Burner w/Ignitor Bracket, Main	195712	195712	195712	195712	195712
10	Bushing	193404	193404	193404	193404	193404
<b>Cleanout Assembly</b>						
11	Gasket	99038	99038	99038	99038	99038
12	Pressure Plate	99037	99037	99037	99037	99037
#13	Screws, Machine	69852-1(6)	69852-1(6)	69852-1(6)	69852-1(6)	69852-(6)
14	Control, Ignition Board	194392	194392	194392	194392	194392
15	Cover, Burner	98185	98185-1	98185-3	98185-3	98185-3
16	Cover, Cleanout	181260	181260	181260	181260	181260
17	Cover, Control Box	194395	194395	194395	194395	194395
18	Cover, Inner	194514	194514-1	194514-1	194388-3	194388-4
19	Cover, Jacket	194523	194523	194523	194389	194389
20	Collar, Pipe Nipple	74060	74060	74060	74060	74060
21	Floor Shield Assembly	193864	193864-1	193864-1	193984	193984
22	Ignitor, Flame Sensor	195708	195708	195708	195708	195708
23	Insulation, Top	194439	194439	194439	194439	194439
<b>Labels</b>						
*24	Cleanout	193914	193914	193914	193914	193914
*25	Flammable Vapors	192872	192872	192872	192872	192872
*26	Help Line	190600	190600	190600	190600	190600
*27	Instruction	170345	170345	170345	170345	170345
*28	Instruction, Bilingual	193912	193912	193912	193912	193912
*29	Instruction, ECO	192282-1	192282-1	192282-1	192282-1	192282-1
30	L&O Label	194401	194401	194401	194401	194401
*31	Sandblaster	195123	195123	195123	195123	195123
*32	Relief Valve	200042	200042	200042	200042	200042
*33	Ultra Coat	193860	193860	193860	193860	193860
*34	Water Inlet	161040	161040	161040	161040	161040
*35	Water Outlet	161040-1	161040-1	161040-1	161040-1	161040-1
*36	Wiring Diagram	194400	194400	194400	194400	194400
37	Leg	194115	194115	194115	194115	194115
38	Manifold	194516	194516	194535	194535	194535
*39	Manual, Instruction	195714-1	195714-1	195714-1	195714-1	195714-1
40	Plate, Mounting	194391	194391	194391	194391	194391
41	Probe/ECO, Upper Thermostat	194396	194396	194396	194396	194396
42	Probe/Lower Thermostat	194397	194397	194397	194397	194397
43	Rod, Anode	180618-42	180618-42	180618-42	180618-42	180618-42
44	Switch, Blower/Prover	194411-3	194411-7	194411-0	194411-6	194411-0
45	Switch, Low Gas Pressure	191149-5	191149-5	191149-5	91149-5	91149-5
46	Switch, Off/On	193243	193243	193243	193243	193243
47	Thermostat, Digital	194393	194393	194393	194393	194393
48	Tube, Inlet	192626-1	192626-1	192626-1	192626-1	192626-1
49	Tube, Outlet	192627-1	192627-1	192627-1	192627-1	192627-1
50	Valve, Drain	26273-6	26273-6	26273-6	26273-6	26273-6
51	Valve, Gas - Natural	194536-1	194536-1	194536-1	194536-1	194536-1
52	Valve, T&P	192467	192467	192467	192467	192467
*53	Wire Harness - Control	194545	194545	194545	194545	194545
*54	Wire Harness - Power	194398	194398	194398	194398	194398
55	Hydro Cannon	195100	195098	195098	195098	195098

Item	Description	SBN100275NE	SBN85310NE	SBN85366NE	SBN85390NE
1	Baffle, Flue	192199-3	192199-3	192199-3	193995
2	Base, Jacket Assembly	194556	194556	194385	194385
<b>Blower Assembly:</b>					
3	Blower	194408	194408	194408	194408
4	Outlet Assembly, Exhaust	194424	194424	194424	194424
*5	Screw, TEK (Jacket-Cover/Base)	194613	194613	194613	194613
6	Burner, Orifice Bracket, Main	98044	98044	98044	98044
7	Burner Orifice, Main	76243-32	76243-32	76243-30	76243-29
8	Burner Assembly, Main	<u>194381</u>	<u>194381</u>	<u>194381</u>	<u>194381</u>
9	Burner w/Ignitor Bracket, Main	195712	195712	195712	195713
10	Bushing	193404	193404	193404	193404
<b>Cleanout Assembly:</b>					
11	Gasket	<u>99038</u>	<u>99038</u>	<u>99038</u>	<u>99038</u>
12	Pressure Plate	99037	99037	99037	99037
#13	Screws, Machine	69852-1(6)	69852-1(6)	69852-1(6)	69852-1(6)
14	Control, Ignition Assembly	<u>194392</u>	<u>194392</u>	<u>194392</u>	<u>194392</u>
15	Cover, Burner	98185-3	98185-3	98185-4	98185-4
16	Cover, Cleanout	181260	181260	181260	181260
17	Cover, Control Box	194395	194395	194395	194395
18	Cover, Inner	194388-4	194388-4	194388	194388
19	Cover, Jacket	194389	194389	194389	194389
20	Collar, Pipe Nipple	74060	74060	74060	74060
21	Floor Shield Assembly	193984	193984	193984	193984
22	Ignitor, Flame Sensor	<u>195708</u>	<u>195708</u>	<u>195708</u>	<u>195708</u>
23	Insulation, Top	194439	194439	194439	194439
<b>Labels:</b>					
*24	Cleanout	193914	193914		193914
*25	Flammable Vapors	192872	192872	192872	192872
*26	Help Line	190600	190600	190600	190600
*27	Instruction	170345	170345	170345	170345
*28	Instruction, Bilingual	193912	193912	193912	193912
*29	Instruction, ECO	192282-1	192282-1	192282-1	192282-1
30	L&O Label	194401	194401	194401	194401
*31	Sandblaster	195123	195123	195123	195123
*32	Relief Valve	200042	200042	200042	200042
*33	Ultra Coat	193860	193860	193860	193860
*34	Water Inlet	161040	161040	161040	161040
*35	Water Outlet	161040-1	161040-1	161040-1	161040-1
*36	Wiring Diagram	194400	194400	194400	194400
37	Leg	194115	194115	194115	194115
38	Manifold	194535	194535	194386	194386
*39	Manual, Instruction	195714-1	195714-1	195714-1	195714-1
40	Plate, Mounting	194391	194391	194391	194391
41	Probe/ECO, Upper Thermostat	<u>194396</u>	<u>194396</u>	<u>194396</u>	<u>194396</u>
42	Probe/Lower Thermostat	<u>194397</u>	<u>194397</u>	<u>194397</u>	<u>194397</u>
43	Rod, Anode	180618-42	180618-42	180618-42	180618-42
44	Switch, Blower Prover	<u>194411-8</u>	<u>194411-2</u>	<u>194411-1</u>	<u>194411-2</u>
45	Switch, Low Gas Pressure	<u>191149-5</u>	<u>191149-5</u>	<u>191149-5</u>	<u>191149-5</u>
46	Switch, Off/On	193243	193243	193243	193243
47	Thermostat, Digital	194393	194393	194393	194393
48	Tube, Inlet	192626-1	192626-1	192626-1	192626-1
49	Tube, Outlet	192627-1	192627-1	192627-1	192627-1
50	Valve, Drain	<u>26273-6</u>	<u>26273-6</u>	<u>26273-6</u>	<u>26273-6</u>
51	Valve, Gas - Natural	<u>194536-1</u>	<u>194536</u>	<u>194536</u>	<u>194536</u>
52	Valve, T&P	<u>192467</u>	<u>192467</u>	<u>192467</u>	<u>192467</u>
*53	Wire Harness - Control	194545	194545	194545	194545
*54	Wire Harness - Power	194398	194398	194398	194398
55	Hydro Cannon	195098	195098	195098	195098

\*Items not illustrated. # Quantities shown in parenthesis next to part number. TBD To be determined.

Part numbers underlined are recommended stock items for emergency replacement. (Consider gas used in your area only).

Requests from PSD by giving all information such as model and series number, type of gas and specifications.



500 Lindahl Parkway, Ashland City, TN 37015  
Phone: 800-821-2017 • Fax: 800-644-9306  
[www.stateind.com](http://www.stateind.com)