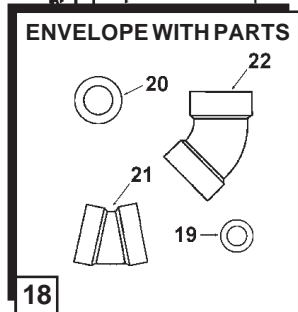
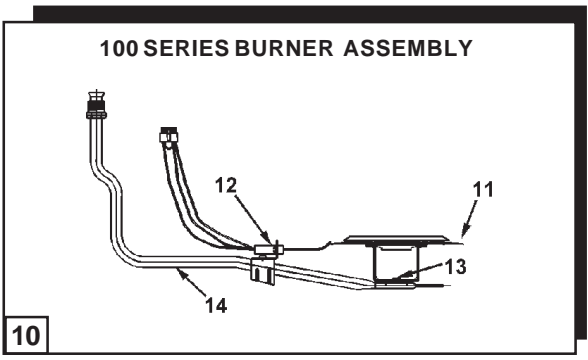
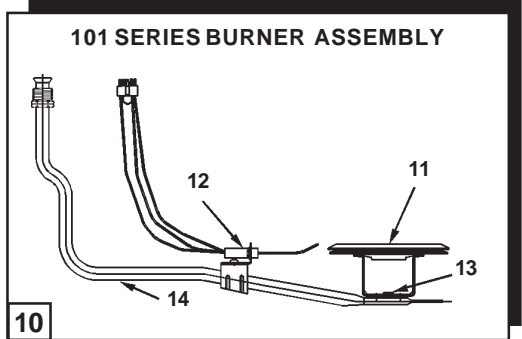
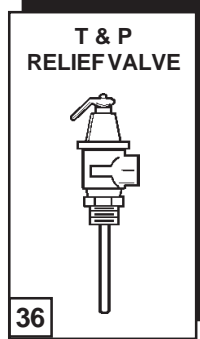
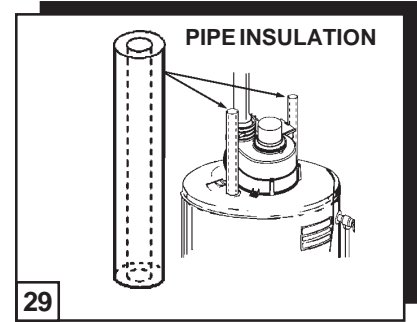
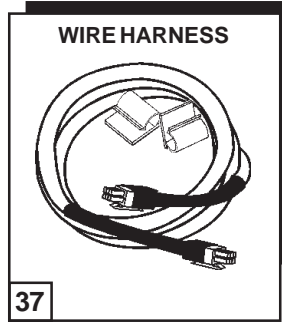
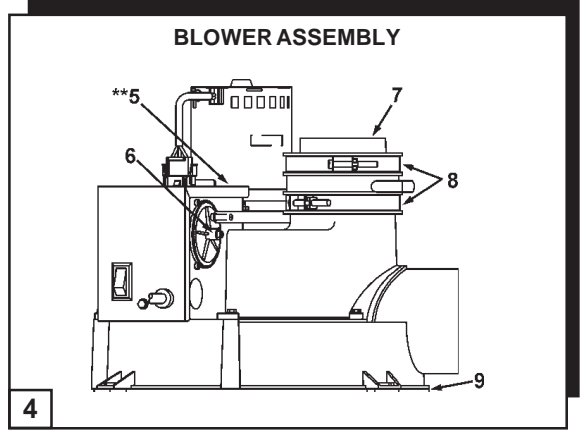
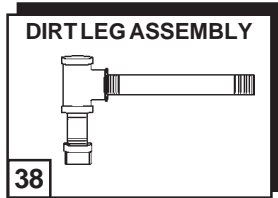
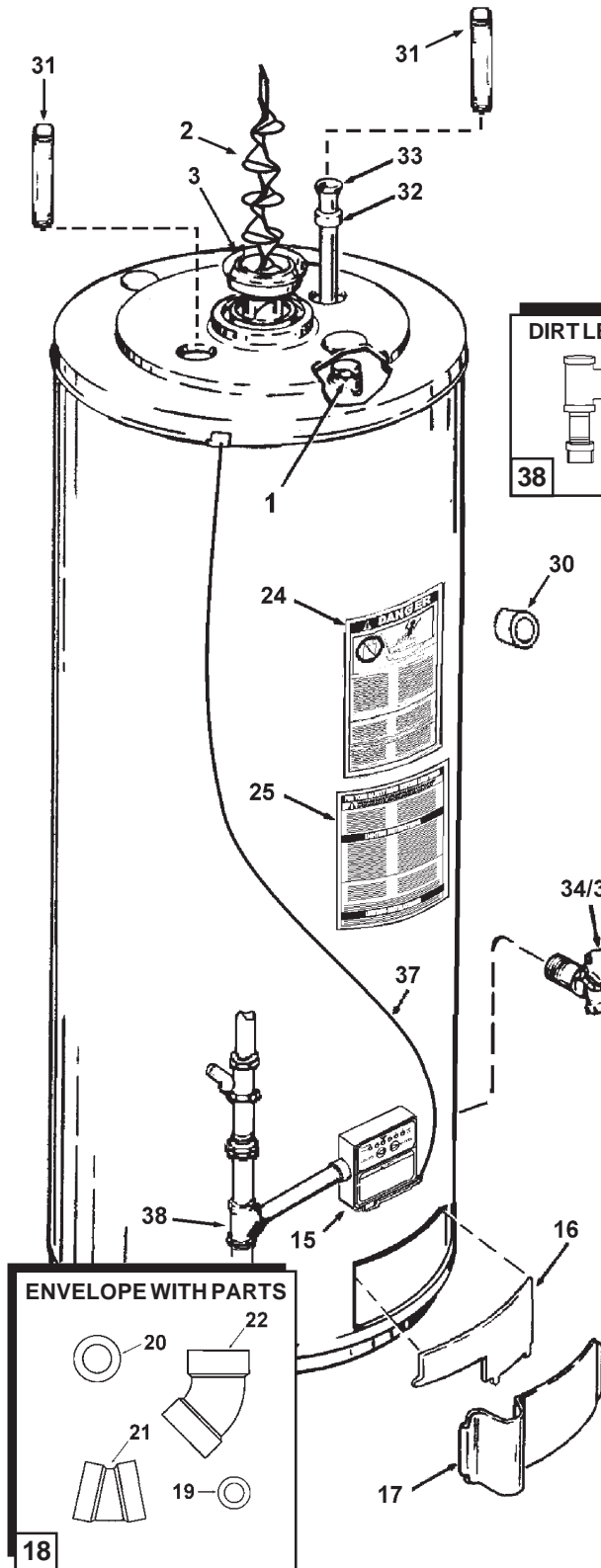


RESIDENTIAL WATER HEATER PARTS LIST
MODELS PR6 40/50 XCVIT, CCVIT 200/201
PR6 40/50 XCVIT 2, CCVIT 2



STATE WATER HEATERS
500 Lindahl Parkway
Ashland City, TN 37015
www.statewaterheaters.com

Item	Description	PR6 40 CCVIT 2 201	PR6 40 XCVIT 2 200	PR6 50 CCVIT 2 201
1	Anode, Aluminum Alloy	183523-26	183523-26	183523-29
2	Baffle, Flue	185111-000	185111-000	184974-000
3	Ring, Flue Restrictor	34894-1	34894-1	34894-1
4	Blower Assembly	184955-000	184955-000	184955-000
**5	Limit Switch	183380-004	183380-004	183380-004
6	Pressure Switch	185110-000	185110-000	185110-000
7	Adapter, Exhaust	185215-000	185215-000	185215-000
8	Hose Clamp	183545-001	183545-001	183545-001
9	Gasket	184956-000	184956-000	184956-000
10	Burner Assembly, Natural Gas	- - - -	185126-004	- - - -
10	Burner Assembly, Propane Gas	185127-004	- - - -	185127-005
11	Burner, Main - Natural	- - - -	183504-000	- - - -
11	Burner, Main - Propane	183325	- - - -	183325
12	Igniter Assembly, Hot Surface	185148-000	185148-000	185148-000
13	Orifice, Main Burner - Natural	- - - -	181508-31	- - - -
13	Orifice, Main Burner - Propane	181791-048	- - - -	181791-48
14	Burner Tube Assembly - Natural	- - - -	184051-2	- - - -
14	Burner Tube Assembly - Propane	184049-2	- - - -	184049-3
15	Combination Gas Valve - Natural	- - - -	184768-002	- - - -
15	Combination Gas Valve - Propane	184768-003	- - - -	184768-003
16	Door, Inner	183491	183491	183491
17	Door, Outer	180522	180522	180522
18	Envelope with Parts	183509-003	183509-003	183509-003
19	Wall Plate, 2"	182787	182787	182787
20	Wall Plate, 3"	181557	181557	181557
21	Vent Terminal Assembly, 2"	183006-000	183006-000	183006-000
22	Vent Terminal, 3"	192815	192815	192815
*23	Label, Electrical Diagram	183765	183765	183765
24	Label, Flammable Vapor/Scald Warning	183301	183301	183301
25	Label, Lighting & Operating Instruction	183764	183764	183764
*26	Label, Relief Valve	180078	180078	180078
*27	Label, Temperature	182734	182734	182734
*28	Owner's Manual	185171-000	185171-000	185171-000
29	Pipe Insulation, 2'	181639-003	181639-003	181639-003
30	Insulation, T & P	183256-000	183256-000	183256-000
31	Heat Trap Nipples	184715-003	184715-003	184715-003
32	Spacer, Inlet Tube	184011-000	184011-000	184011-000
33	Tube, Inlet	184223-041	184223-041	184223-045
34	Valve, Drain - Brass	26273-6	26273-6	26273-6
35	Valve, Drain - Plastic	42037-3	42037-3	42037-3
36	Valve, T & P Relief	43151-2	43151-2	43151-2
37	Wire Harness	183506-1	183506-1	183506-1
38	Dirt Leg Assembly	181206-1	181206-1	181206-1

* Not illustrated.

** Limit Switch located inside control box of blower assembly.

PR6 50 XCVIT 2 200	PR6 40 CCVIT 201	PR6 40 XCVIT 200	PR6 50 CCVIT 201	PR6 50 XCVIT 200
183523-29	183523-26	183523-26	183523-29	183523-29
184974-000	185111-000	185111-000	184974-000	184974-000
34894-1	34894-1	34894-1	34894-1	34894-1
184955-000	184955-000	184955-000	184955-000	184955-000
183380-004	183380-004	183380-004	183380-004	183380-004
185110-000	185110-000	185110-000	185110-000	185110-000
185215-000	185215-000	185215-000	185215-000	185215-000
183545-001	183545-001	183545-001	183545-001	183545-001
184956-000	184956-000	184956-000	184956-000	184956-000
185126-005	- - - -	185126-000	- - - -	185126-001
- - - -	185127-000	- - - -	185127-001	- - - -
183504-000	183504-000	183504-000	183504-000	183504-000
- - - -	183325	- - - -	183325	- - - -
185148-000	185148-000	185148-000	185148-000	185148-000
181508-31	- - - -	181508-31	- - - -	181508-31
- - - -	181791-48	- - - -	181791-48	- - - -
184051-3	- - - -	184051	- - - -	184051-1
- - - -	184049	- - - -	184049-1	- - - -
184768-002	- - - -	184768-000	- - - -	184768-000
- - - -	184768-001	- - - -	184768-001	- - - -
183491	183491	183491	183491	183491
180522	180522	180522	180522	180522
183509-003	183509-003	183509-003	183509-003	183509-003
182787	182787	182787	182787	182787
181557	181557	181557	181557	181557
183571	183571	183571	183571	183571
192815	192815	192815	192815	192815
183765	183765	183765	183765	183765
183301	183301	183301	183301	183301
183764	183764	183764	183764	183764
180078	180078	180078	180078	180078
182734	182734	182734	182734	182734
185171-000	185171-000	185171-000	185171-000	185171-000
181639-003	181639-003	181639-003	181639-003	181639-003
183256-000	183256-000	183256-000	183256-000	183256-000
184715-003	184715-003	184715-003	184715-003	184715-003
184011-000	184011-000	184011-000	184011-000	184011-000
184223-045	184223-041	184223-041	184223-045	184223-045
26273-8	26273-6	26273-6	26273-6	26273-4
42037	42037-3	42037-3	42037-3	42037-1
43151-2	76527-3	76527-3	76527-3	76527-3
183506-1	183506-1	183506-1	183506-1	183506-1
181206-1	181206-1	181206-1	181206-1	181206-1



STATE WATER HEATERS

500 Lindahl Parkway

Ashland City, TN 37015

www.statewaterheaters.com