

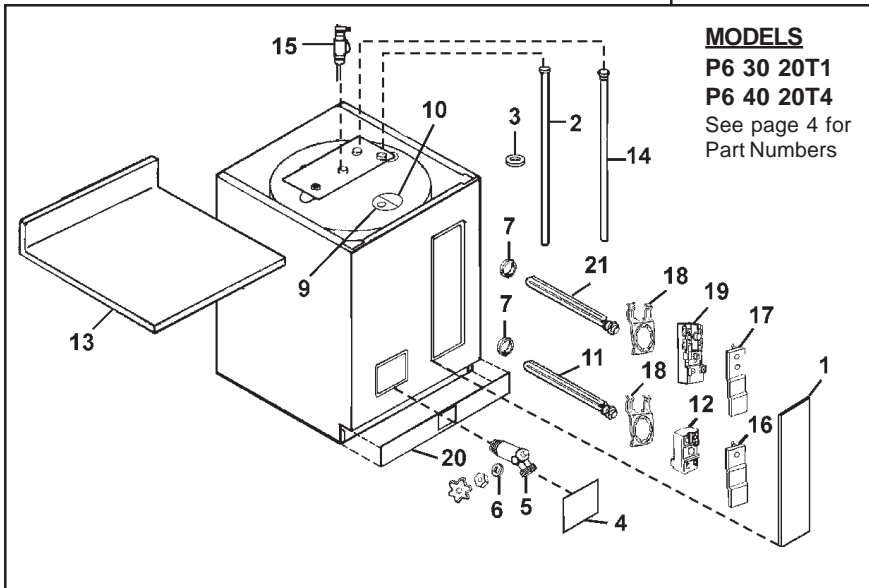
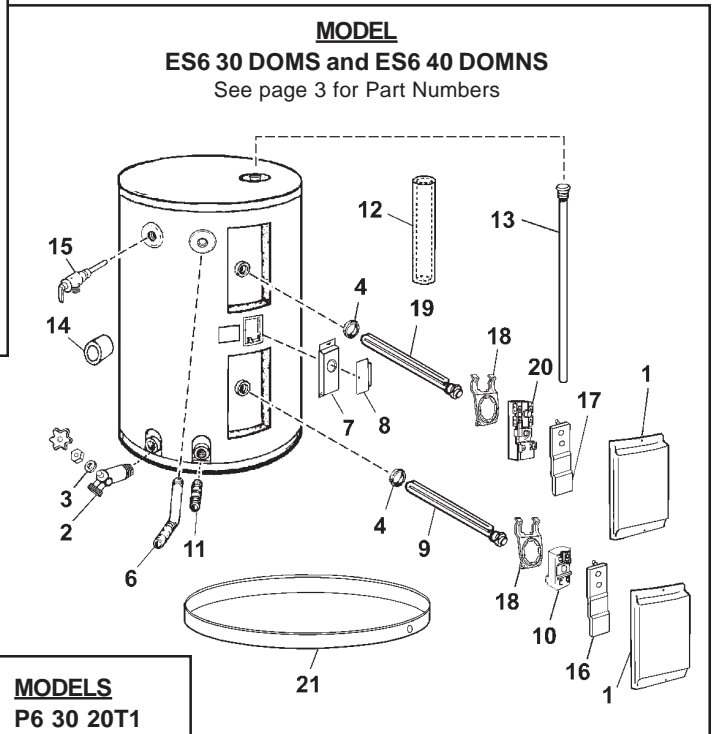
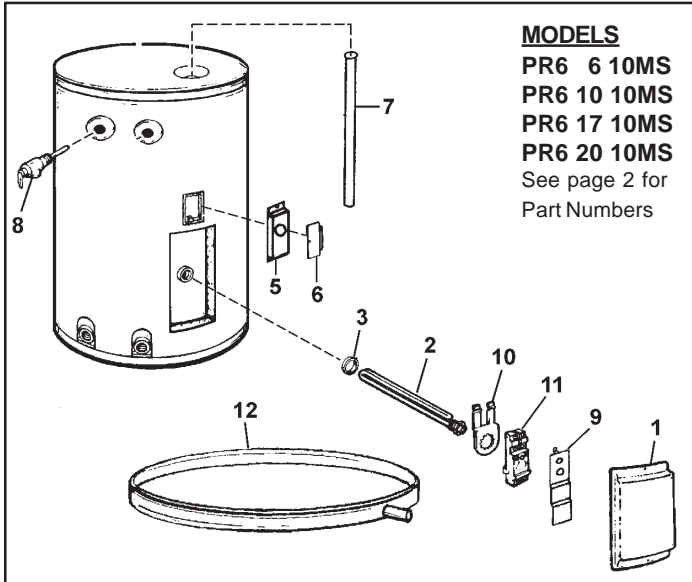
RESIDENTIAL WATER HEATER PARTS LIST

MODELS: P6 6, 10, 17, 20 10MS,

ES6 30 DOMS, ES6 40 DOMNS

P6 30 20T1, P6 40 20T4W

SELECT



State Water Heater Parts Fulfillment

125 Southeast Parkway, Franklin, TN 37068

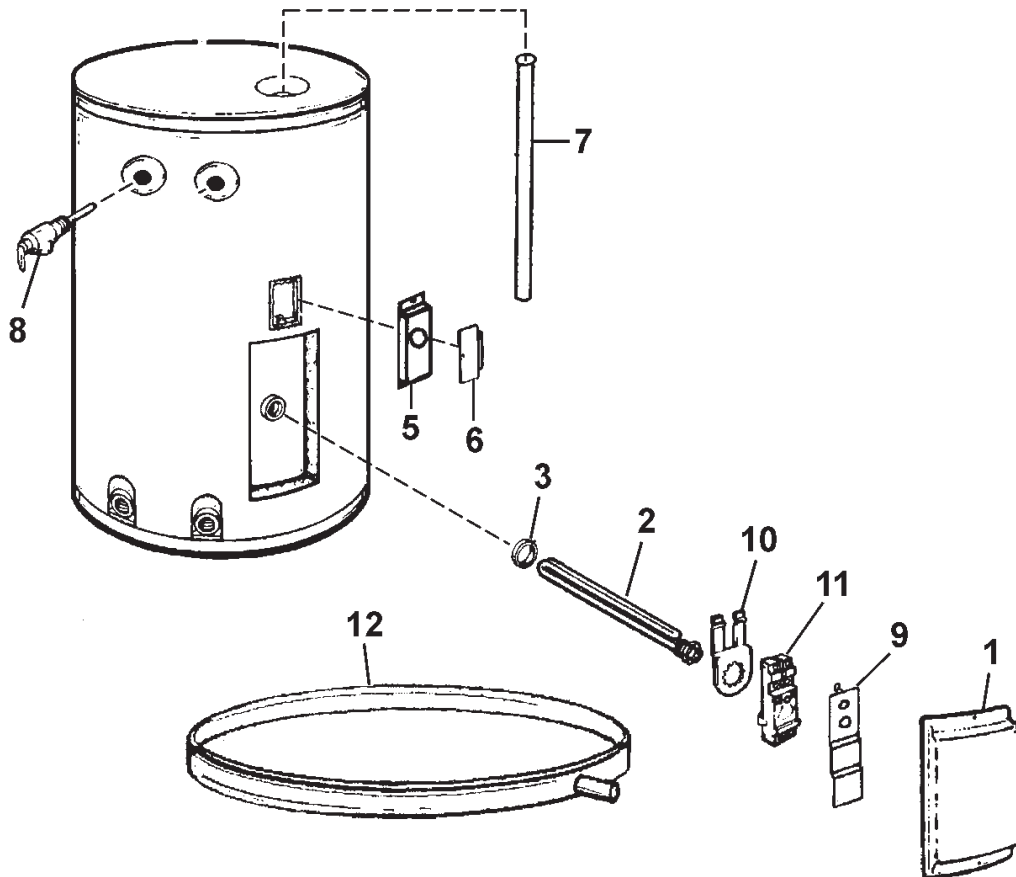
1-800-527-1953

www.statewaterheaters.com

Item	Description	P6 6 10MS	P6 10 10MS	P6 17 10MS	P6 20 10MS
1	Access Panel	4302621	4302621	4302621	4302621
2	Element	042285-004	042285-004	042286-006	042285-004
3	Element Gasket	5300370	5300370	5300370	5300370
4	Instruction Manual**	2917330	2917330	2917330	2917330
5	Junction Box Bracket w/CDT Hole	184646-002	184646-002	184646-002	184646-002
6	Junction Box Cover	184860-000	184860-000	184860-000	184860-000
7	Primary Anode Rod*	183523-009	183523-009	183463-014	183523-016
8	T & P Relief Valve	076527-000	076527-000	076527-000	076527-000
9	Terminal Cover w/High Limit	183530-000	183530-000	183530-000	183530-000
10	Thermostat Bracket	184608-000	184608-000	184608-000	184608-000
11	Thermostat w/High Limit	183533-000	183533-000	183533-000	183533-000
12	20" Dia. Plastic Drain Pan w/Side Drain*	9002842	9002842	9002842	9002842
12	22" Dia. Plastic Drain Pan w/Side Drain*	9002843	9002843	9002843	9002843
12	24" Dia. Plastic Drain Pan w/Side Drain*	9002844	9002844	9002844	9002844
12	26" Dia. Plastic Drain Pan w/Side Drain*	9002845	9002845	9002845	9002845

*If Applicable

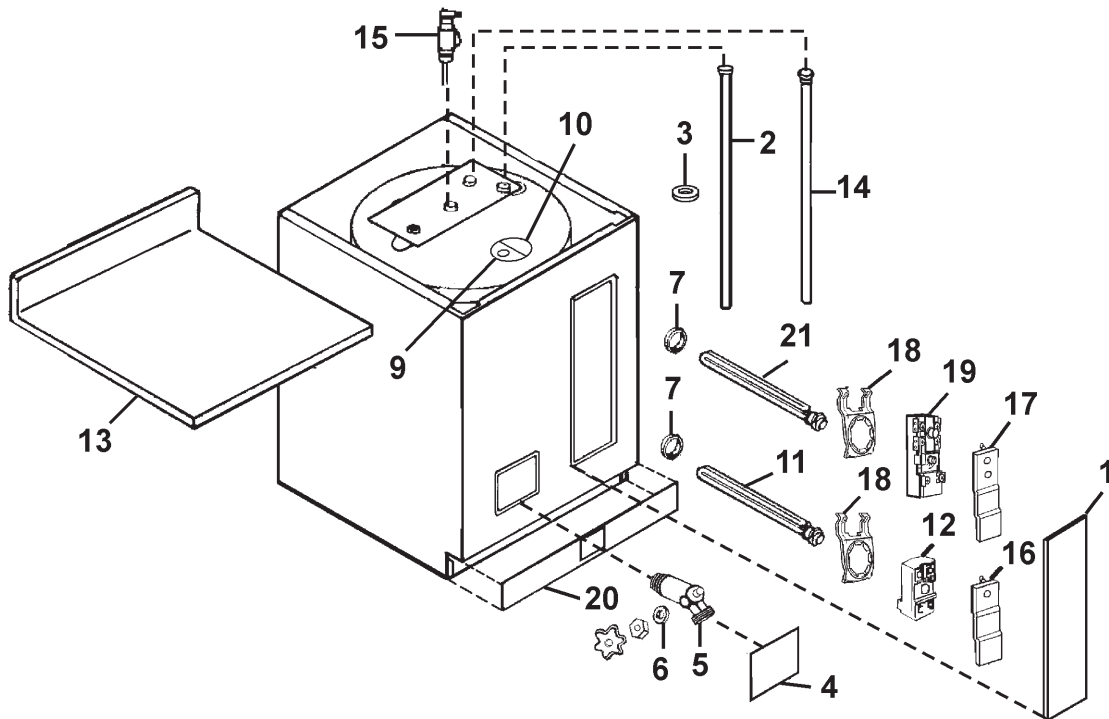
**Not Illustrated



Item	Description	P6 30 20T1	P6 40 20T4W
1	Access Panel	4303171	4303171
2	Dip Tube	183900-024	183900-024
3	Dip Tube Seal	184011-000	184011-000
4	Drain Access Door	3900550	3900550
5	Drain Valve	042037-000	042037-000
6	Drain Valve Washer (17/32"x 13/64"x 1/8" Thick)**	N/A	N/A
7	Element Gasket	5300370	5300370
8	Instruction Manual**	2917490	2917490
9	Junction Box Bracket w/CDT Hole	184659-000	184659-000
10	Junction Box Cover	184660-000	184660-000
11	Lower Element	042286-023	042286-022
12	Lower Thermostat w/High Limit	183532-000	183533-000
13	Porcelain Top	1504930	1504940
14	Primary Anode Rod	183463-016	1601031
15	T & P Relief Valve	076527-000	076527-000
16	Terminal Cover	183529-000	183529-000
17	Terminal Cover w/High Limit	183530-000	183530-000
18	Thermostat Bracket	184608-000	184608-000
19	Thermostat w/High Limit	183532-000	183533-000
20	Toe Panel	4300170	4300181
21	Upper Element	042286-023	042286-021

**Not Illustrated

***Available at most hardware stores



Item	Description	ES6 30 DOMS	ES6 40 DOMNS
------	-------------	-------------	--------------

1	Access Panel	181260-000	181260-000
2	Drain Valve	026273-007	026273-007
3	Drain Valve Washer (17/32" x 13/64" x 1/8")***	N/A	N/A
4	Element Gasket	5300370	5300370
5	Instruction Manual**	184671-000	184671-000
6	J-Tube	184631-001	184631-001
7	Junction Box Bracket w/CDT Hole	184646-002	184646-002
8	Junction Box Cover	184860-000	184860-000
9	Lower Element	042286-024	042286-024
10	Lower Thermostat w/High Limit	183532-000	183532-000
11	PEX Lined Nipple*	194130-007	194130-007
12	Pipe Insulation*	181639-003	181639-003
13	Primary Anode Rod	183523-016	183523-023
14	T & P Insulation*	183256-000	183256-000
15	T & P Relief Valve	043151-000	043151-000
16	Terminal Cover	183529-000	183529-000
17	Terminal Cover w/High Limit	183530-000	183530-000
18	Thermostat Bracket	184608-000	184608-000
19	Upper Element	042285-020	042285-020
20	Upper Thermostat w/High Limit	183534-000	183534-000
21	20" Dia. Plastic Drain Pan w/Side Drain*	9002842	9002842
21	22" Dia. Plastic Drain Pan w/Side Drain*	9002843	9002843
21	24" Dia. Plastic Drain Pan w/Side Drain*	9002844	9002844
21	26" Dia. Plastic Drain Pan w/Side Drain*	9002845	9002845

*If Applicable

**Not Illustrated

