

PROLINE® ELECTRONIC THERMOSTAT

ELECTRONIC THERMOSTAT

- Provides precise temperature control with enhanced sensing and faster heating response
- Diagnostic (dual color) LED light signals green flash for normal operation and red flash for error fault
- Element “Dry-Fire” protection intelligence

SMART PORT MODULE

- Allows for grid connectivity via optional CTA-2045 port adapter and 3rd party communication module
- Can provide Demand Response, Energy Storage and Time of Use saving benefits depending on local utility services offered

HEATING ELEMENTS

- Dual 4,500 watt elements are standard for fast recovery
- Upper element has a copper sheath and the lower element is stainless steel for reliable operation

ENERGY EFFICIENT

- Eco-friendly non-CFC foam insulation, heat traps and other features combine to yield a high Uniform Energy Factor to maximize savings

SELF CLEANING DIP TUBE

- Helps reduce lime and sediment buildup and maximizes hot water output. Made from long-lasting PEX cross-linked polymer.

COREGARD™ ANODE ROD

- Our anode rods have a stainless steel core that extends the life of the anode rod allowing superior tank protection far longer than standard anode rods

BLUE DIAMOND® GLASS COATING

- Provides superior corrosion resistance compared to industry standard glass lining

ENHANCED-FLOW BRASS DRAIN VALVE

- Our residential water heaters have a solid brass, tamper resistant, enhanced-flow, ball type, drain valve

- Uses a standard female hose fitting that allows for fast and easy draining during maintenance
- Designed for easy operation, this valve includes an integral screwdriver slot that features a ¼ turn (open/close) radius, which not only permits full straight-through water flow but also a quick and positive shut off

CODE COMPLIANCE

- Meets UBC, CEC and HUD National Codes
- Meets the thermal efficiency and standby loss requirements of the U.S. Department of Energy and current edition of ASHRAE/IES 90.1
- Complies with the Federal Energy Conservation Standards effective April 16, 2015, in accordance with the Energy Policy and Conservation Act (EPCA), as amended

APPROVED FOR MANUFACTURED HOUSING

- All residential electric water heaters are compliant with HUD standards for mobile homes/manufactured housing

CERTIFIED TO UL 174 FOR HOUSEHOLD ELECTRIC WATER HEATERS

CSA CERTIFIED AND ASME RATED T&P RELIEF VALVE

DESIGN-LISTED BY UNDERWRITERS LABORATORIES

- Certified at 300 psi test pressure and 150 psi working pressure. Listed according to UL 174 standards governing storage tank-type electric water heaters.

6-YEAR LIMITED TANK AND PARTS WARRANTY

- For complete information, consult written warranty or visit statewaterheaters.com



SOLID. STATE.



COMMERCIAL-GRADE

RESIDENTIAL ELECTRIC WATER HEATERS

Model Number	Nominal Capacity	Rated Storage Volume	First Hour Rating (Gallons)	UEF	Recovery @ 90°F Rise Gallon Per Hour	Element Wattage	Dimensions in Inches			Approx. Shipping Weight (lbs)
							A	B	C	
Tall Models										
EG6-40-DXRT	40	36	51	0.92	21	4500	61-1/4	53-1/4	20	118
EG6-50-DXRT	50	45	56	0.93	21	4500	60-1/2	51-1/4	22	134
Short Models										
EG6-40-DXRS	40	37	51	0.92	21	4500	49-3/4	40-3/4	20-1/2	109
EG6-50-DXRS	50	46	58	0.92	21	4500	49-1/4	40-1/4	23	161

3/4" water connections on 8" center.

All models are available with top-mounted T&P valve (optional).

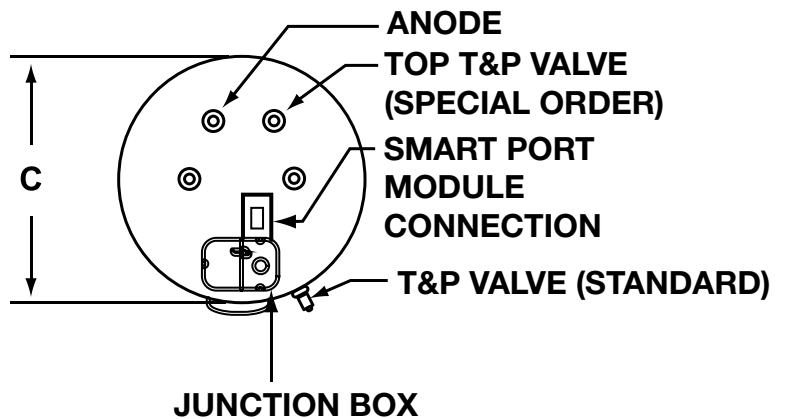
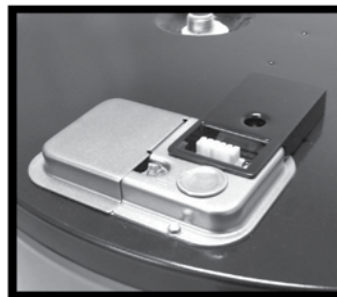
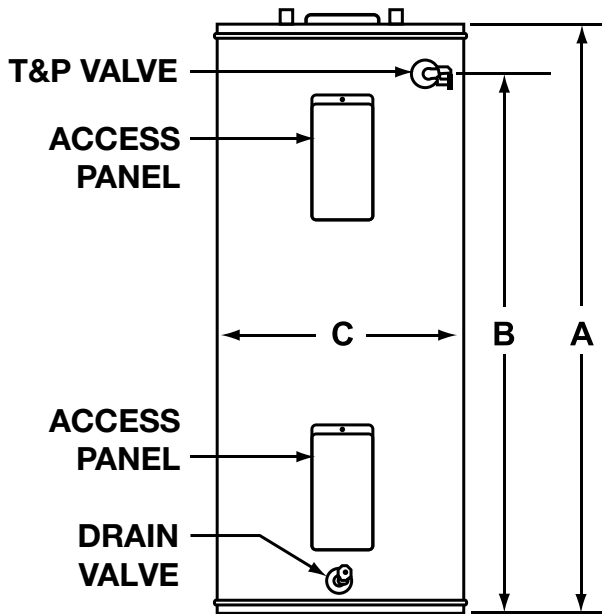
Only available for 240V or 208V applications.

Only available with 4,500 watt elements.

Equipped as dual element only, no single element configurations available.

Dimensions and specifications subject to change without notice in accordance with our policy of continuous product improvement.

SMART PORT MODULE CONNECTION



FOR MORE INFORMATION ON CALL 1-800-365-0024. STATE WATER HEATERS RESERVES THE RIGHT TO MAKE PRODUCT CHANGES OR IMPROVEMENTS WITHOUT PRIOR NOTICE.