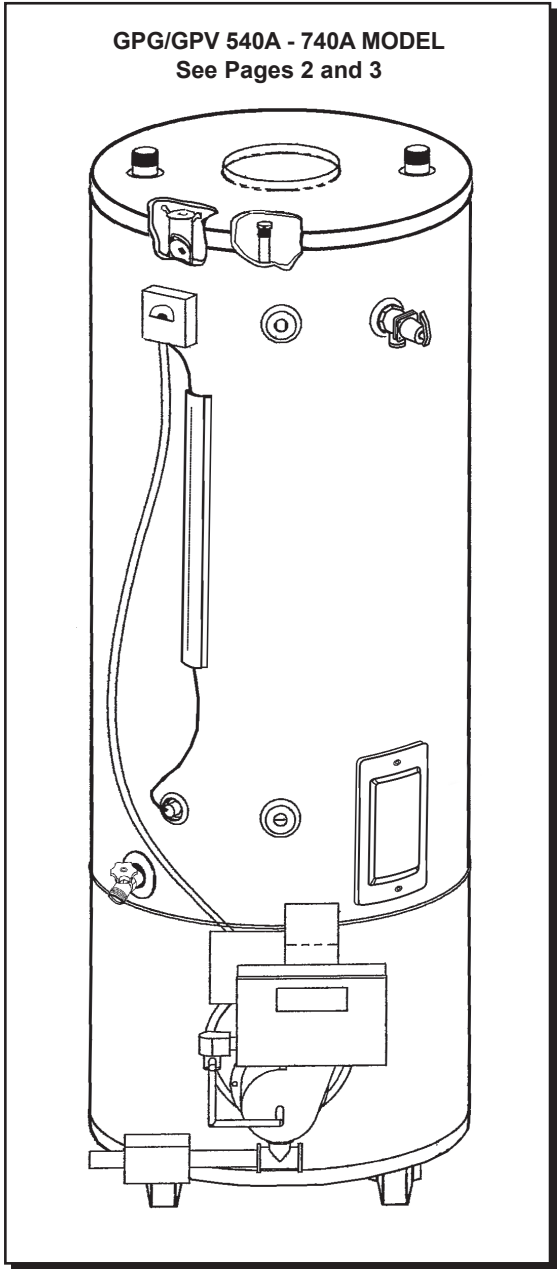




COMMERCIAL GAS SERVICE PARTS LIST

State Water Heater Parts Fulfillment
125 Southeast Parkway • Franklin, TN 37068
www.statewaterheaters.com • 1-800-433-2545

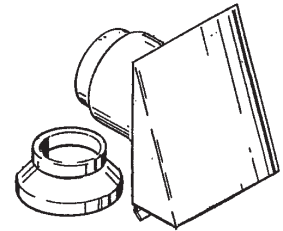
**MODELS:
GPG/GPV-540A
THRU 740A
Series:
104**



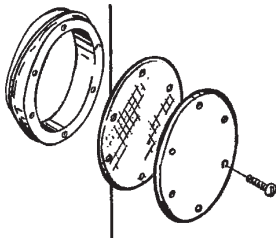
T&P RELIEF VALVE
See Page 2



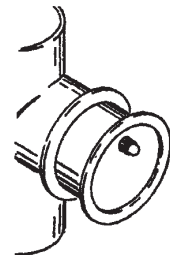
GPV VENT KIT
See Page 2



CLEANOUT ASSEMBLY
See Page 2



**GPG BAROMETRIC
DRAFT CONTROL**
See Page 2



T & P RELIEF VALVE, VENT KIT, DRAFT CONTROL, CLEANOUT ASSEMBLY,

Item	Description	GPG-540A	GPG-650A	GPG-740A
1	Anode, Plug	100109594 (4).....	100109594 (4).....	100109594 (4)
2	Baffle, Flue.....	100111520 (24).....	100111520 (24).....	100111520 (24)
3	T & P Relief Valve	100110972	100110972	100110972
4	Thermostat W.E.C.O.....	100109916	100109916	100109916
5	Valve, Drain.....	100263911	100263911	100263911
6	Burner Assembly.....	100111775.....	100111867.....	100111866
7	Cleanout Assembly (includes the following items)			
 Cleanout Cover.....	100110656	100110656	100110656
 Gasket	100109686	100109686	100109686
 Screw - Thread Rolling	100109688	100109688	100109688
8	Barometric Draft Control	100125540	100125540	100125540

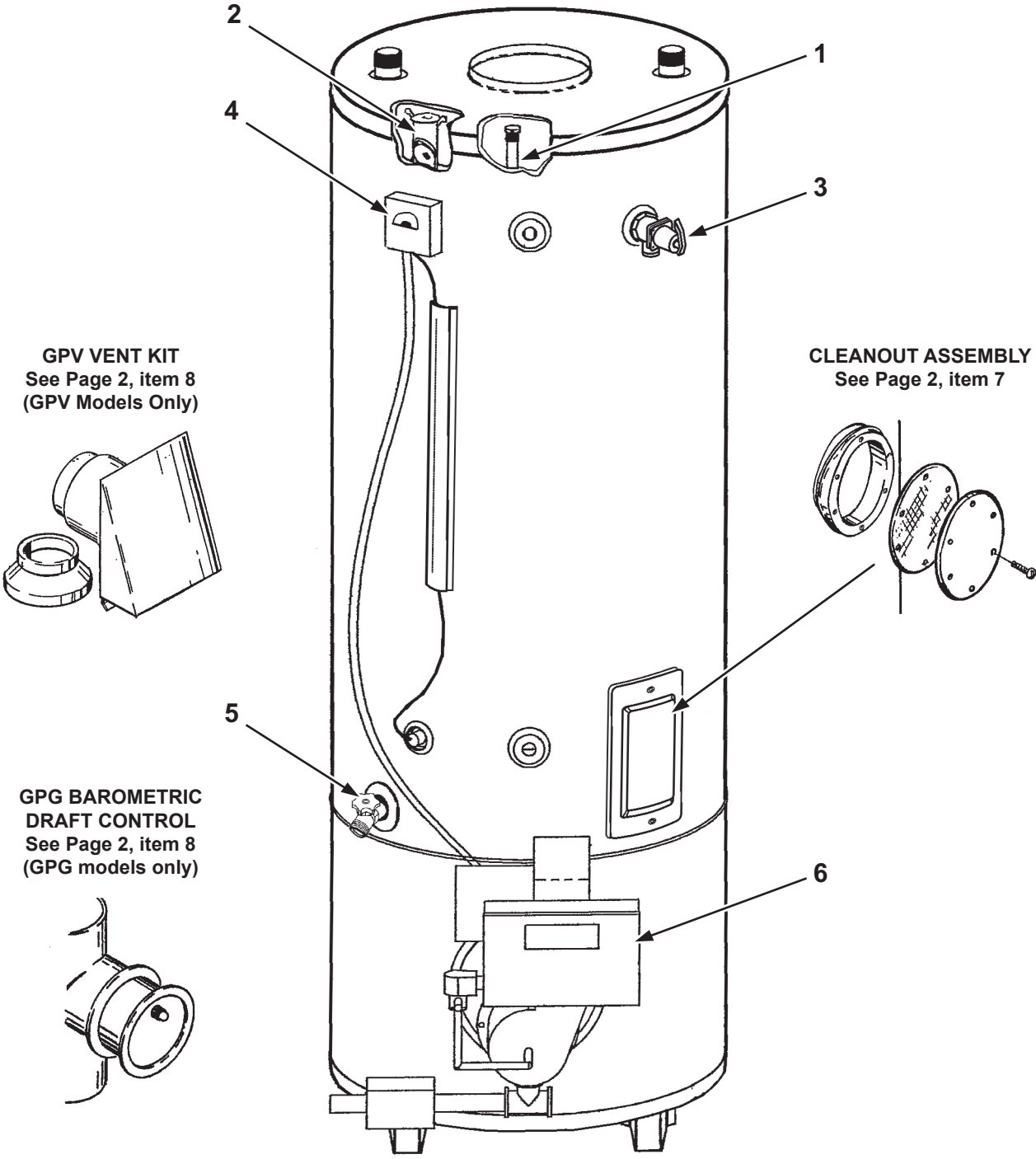
Item	Description	GPV-540A	GPV-650A	GPV-740A
1	Anode, Plug	100109594 (4).....	100109594 (4).....	100109594 (4)
2	Baffle, Flue.....	100111520 (24).....	100111520 (24).....	100111520 (24)
3	Valve, Relief	100110972	100110972	100110972
4	Thermostat W.E.C.O.....	100109916	100109916	100109916
5	Valve, Drain.....	100263911	100263911	100263911
6	Burner Assembly.....	100110350	100111889.....	100111888
7	Cleanout Assembly (includes the following items)			
 Cleanout Cover.....	100110656	100110656	100110656
 Gasket	100109686	100109686	100109686
 Screw - Thread Rolling	100109688	100109688	100109688
8	GPV Vent Kit.....	100125500	100125500	100125500
	(includes the following items, 2 pieces of hood required for direct vent)			
 Hood, Vent - Side Wall.....	100049733	100049733	100049733
 Reducer - Flue.....	100050254	100050254	100050254

*Items not illustrated.

Quantities, if more than one, shown in parenthesis next to part number.

Part numbers underlined are recommended stock items for emergency replacement.

T & P RELIEF VALVE, VENT KIT, DRAFT CONTROL, CLEANOUT ASSEMBLY,
(Part numbers are listed on page 2)



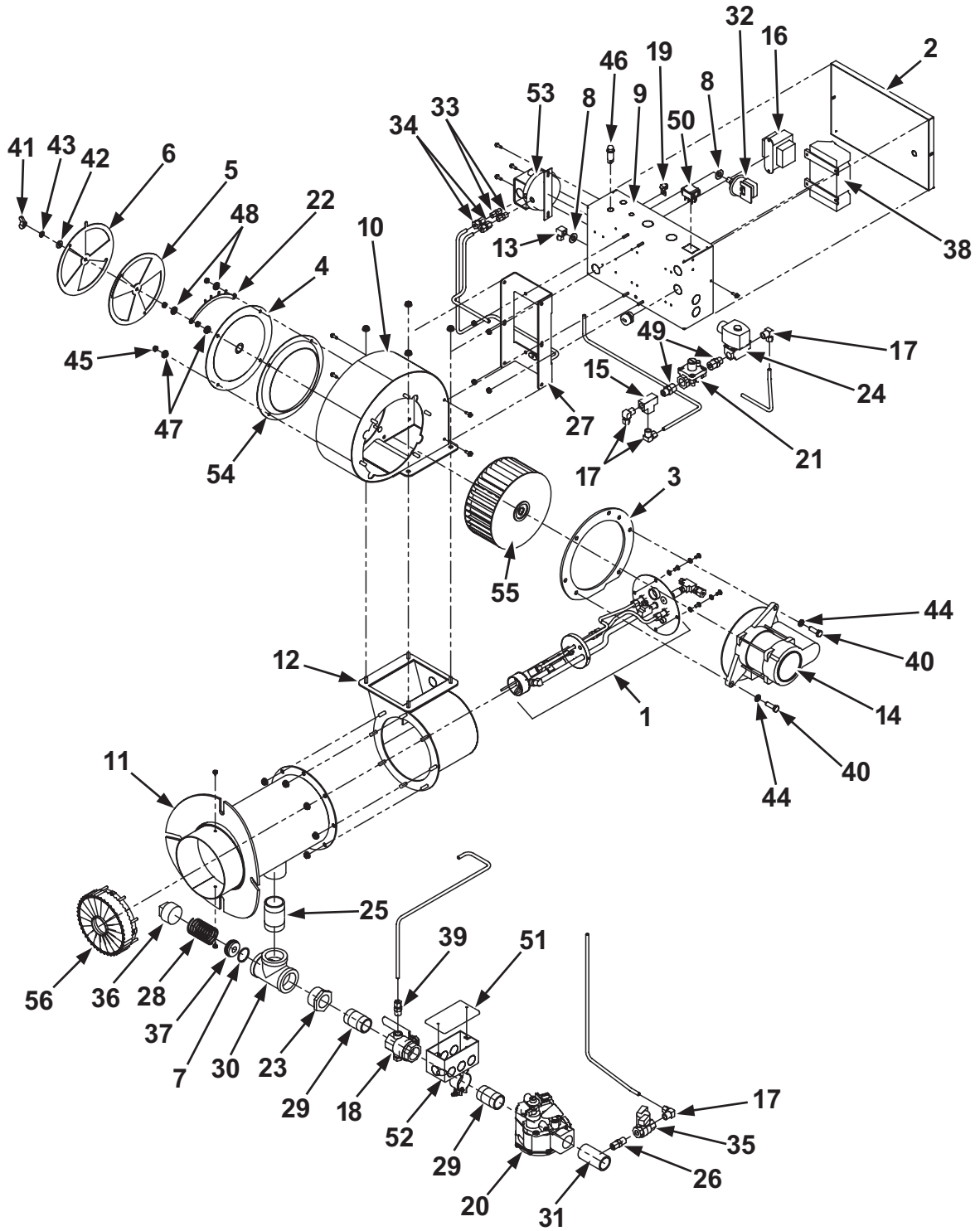
GPG BURNER ASSEMBLY

Item	Description	GPG-540A	GPG-650A	GPG-740A
1	Premix Pilot Assembly.....	F20089.....	F20089.....	F20089
2	7x11-1/2 Panel Door	L10169.....	L10169.....	L10169
3	NP N Frame Motor Plate.....	K10411.....	K10411.....	K10411
4	X4 PIE Damper Inner Plate.....	L10201.....	L10201.....	L10201
5	X4 PIE Damper Middle Plate	L10202.....	L10202.....	L10202
6	X4 PIE Damper CGA Outer PIE Damper.....	L10204.....	L10204.....	L10204
7	O Ring Seal.....	534650.....	534650.....	534650
8	3/8 Flat Washer.....	X09650.....	X09650.....	X09650
9	7x11-1/2 Panel Box.....	K20309.....	K20309.....	K20309
10	Premix Air Housing.....	K20401.....	K20401.....	K20401
11	5.75" O.D. Premix Tube Assembly.....	K20104.....	K20104.....	K20104
12	Premix 90° Adapter.....	K20000.....	K20000.....	K20000
13	1/4 X 1/8 Tube To FP 90°.....	832000.....	832000.....	832000
14	1/4 HP 3450RPM 115/1 Motor.....	050050.....	050050.....	050050
15	1/4 Brass Tee.....	X02626.....	X02626.....	X02626
16	AT140B-1206 40VA 129/24 Stepdown Transformer.....	332180.....	332180.....	332180
17	1/4 X 1/4 Tube to MP 90°.....	830100.....	830100.....	830100
18	1" 68 Long Handle Ball Valve with Tap.....	980240.....	980240.....	980240
19	SLU-35 ILSCO Grounding Lug.....	610400.....	610400.....	610400
20	7000DERHC Robertshaw Gas Valve.....	285100.....	285100.....	285100
21	RV20 3/8" Maxitrol Regulator.....	300100.....	300100.....	300100
22	Pie Damper Stop Bracket.....	K10420.....	K10420.....	K10420
23	1-1/4 X 1 Hex Reducer Bushing Milled.....	K10501.....	K10501.....	K10501
24	SV311AO1N6BF5K 24/60 Pilot Valve.....	X01433.....	X01433.....	X01433
25	1-1/4 X 2-1/2 Pipe Nipple.....	X02307.....	X02307.....	X02307
26	1/4 Hex Nipple.....	X02622.....	X02622.....	X02622
27	Panel Box Bracket.....	K10304.....	K10304.....	K10304
28	1-1/4 Orifice Spring.....	911510.....	911510.....	911510
29	1 x 2 Pipe Nipple.....	X02999.....	X02999.....	X02999
30	1-1/4 Pipe Tee.....	873310.....	873310.....	873310
31	1 x 2-1/2 Pipe Nipple Flow Drilled.....	M10551.....	M10551.....	M10551
32	GFS348A-4045 Gas Pressure Switch.....	171030.....	171030.....	171030
33	Air Switch Orifice.....	K10043.....	K10043.....	K10043
34	1/4 x 1/8 Tubing to FP Straight.....	835000.....	835000.....	835000
35	1/4" Model 740 Ball Valve.....	980030.....	980030.....	980030
36	1-1/4 Square Head Pipe Plug.....	879300.....	879300.....	879300
37	1-1/4 Aluminum Orifice.....	X04365.....	M11109.....	- - - - -
38	S8680J-1004/B Honeywell Control.....	396250.....	396250.....	396250
39	1/4 x 1/4 Tubing to MP Straight.....	X02681.....	X02681.....	X02681
40	5/16-18 x 1 Hex Head Cap Screw.....	X09390.....	X09390.....	X09390
41	1/4 - 20 Wing Nut.....	X09603.....	X09603.....	X09603
42	1/4 Flat Washer.....	X09641.....	X09641.....	X09641
43	1/4 Lock Washer.....	X09653.....	X09653.....	X09653
44	5/16 Lock Washer.....	X09657.....	X09657.....	X09657
45	10-32 KEP Nut.....	X09745.....	X09745.....	X09745
46	24V Amber Light (Option).....	X01468.....	X01468.....	X01468
47	PIE Damper Retaining Washer.....	X01467.....	X01467.....	X01467
48	PIE Damper Retaining Washer Turned Down.....	K10421.....	K10421.....	K10421
49	3/8 x 1/4 MP-MP Brass Fitting.....	840200.....	840200.....	840200
50	CRTP1A9M9 OSLO SPST Rocker Switch.....	140700.....	140700.....	140700
51	2 x 4 Box Cover.....	937920.....	937920.....	937920
52	2 x 4 Box Assembly.....	K11004.....	K11004.....	K11004
53	Air Switch.....	171110.....	171110.....	171110
54	X4 Air Inlet Ring.....	X08653.....	X08653.....	X08653
55	7 x 3 x 1/2 R700-300S Spec. 109484-CTN.....	X01401.....	X01401.....	X01401
56	NPM15 5.25" O.D. Diffuser Weld Assembly.....	K20203.....	K20203.....	K20203

For all burner replacement parts contact: Power Flame www.powerflame.com

GPG BURNER ASSEMBLY

(Part numbers are listed on page 4)



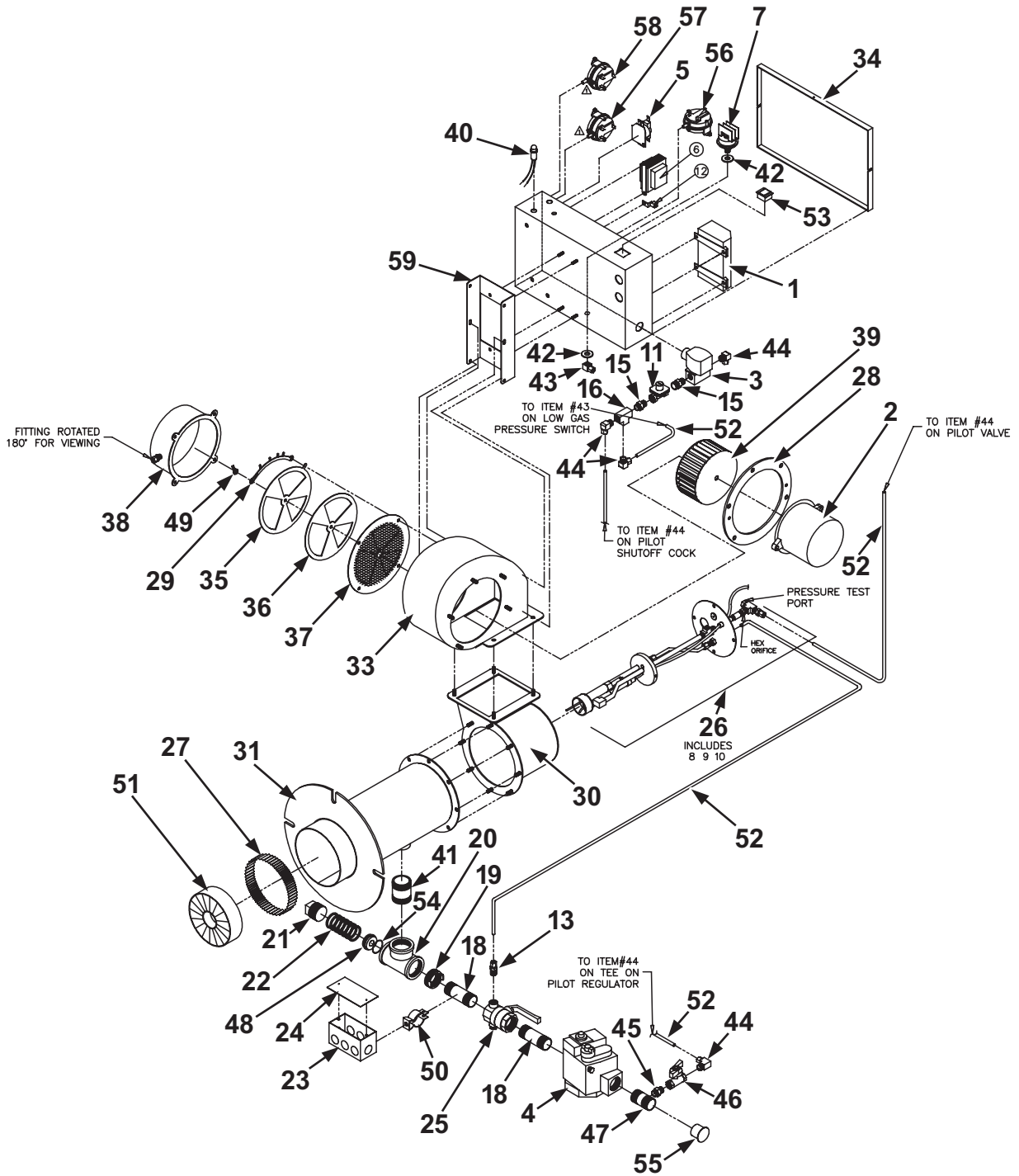
GPV BURNER ASSEMBLY

Item	Description	GPV-540A	GPV-650A	GPV-740A
1	S8680J-1004/B Honeywell 24 Volt Gas	396250	396250	396250
2	1/4 HP 3450 RPM 120/60 48N FR.	050050	050050	050050
3	SV311A01N6BF5K 24/60 Valve	X01433	X01433	X01433
4	7000DERHC Robertsshaw Gas Valve 5N2 501 5AS	285100	285100	285100
5	X-1716F, P/N 12S10 Thermosdisk Relay.....	556000	556000	556000
6	AT140B-1206 40 VA 120/24 H.W. Transformer.....	332180	332180	332180
7	GFS3418A-4045 RI Delta Gas Pressure Switch	171030	171030	171030
8	Premix Flame Rod (Part of Pilot Assembly).....	X04195	X04195	X04195
9	Ignition Electrode (Part of Pilot Assembly).....	X04194	X04194	X04194
10	G4A01164C 164 Deg. C Thermosdisc (Part of Pilot Assembly).....	X01013	X01013	X01013
11	RV-20L 3/8" Maxitrol Regulator	300090	300090	300090
12	SLU - 35 ILSCO Grounding Lug	610400	610400	610400
13	1/4 X 1/4 Tubing to Male Pipe Straight Comp.....	834050	834050	834050
14	3/8" X 1/4" Tubing to Male Pipe Straight Comp.	834450	834450	834450
15	3/8" X 1/4" Brass Reducer Male Pipe	840200	840200	840200
16	1/4" Brass Tee.....	X02626	X02626	X02626
17	B-400-1-2 1/4 X 1/8 Tube to MP Brass	849210	849210	849210
18	1 X 3 Schedule 40 Standard Black Pipe Nipple.....	864550	864550	864550
19	1-1/4 x 1 STD. Black Iron Flush Bushing	872000	872000	872000
20	1-1/4 IN. STD. BLK. Pipe Tee	873310	873310	873310
21	1-1/4 IN. STD. BLK. Pipe Plug Drilled & Tapped.....	879310	879310	879310
22	Orifice Spring for 1-1/4 IN. Pipe Tee	911510	911510	911510
23	58371 - 1/2 4 x 2 - 1/8 x 2 - 1/8 Handy Box	937820	937820	937820
24	58C1 2 X 4 Blank Steel City Handy Box Cover	937920	937920	937920
25	1 IN. Model 68 Ball Valve with Two Taps	980240	980240	980240
26	NP Flame Rod Pilot.....	F20094	F20094	F20094
27	NP Air Staging Band.....	K10213	K10213	K10213
28	PM N Frame Motor Plate	K10410	K10410	K10410
29	NP PIE Damper Stop PLT.....	K10420	K10420	K10420
30	NP 90 DEG ADPT ASSY 5.498" Length	K20000	K20000	K20000
31	NP 5.75" O.D. Tube	K20104	K20104	K20104
32	8.75" X 14" Premix Back Mount Panel Assy	K10310	K10310	K10310
33	Premix Air HSG 6.25" Wheel	K20401	K20401	K20401
34	8.75" 14" Full MOD Panel Box Door	K10311	K10311	K10311
35	15B9C X4 PIE Damper Inner Plate.....	L10201	L10201	L10201
36	X4 PIE Damper Middle Plate	L10202	L10202	L10202
37	X4 CGA Outer PIE Damper.....	L10204	L10204	L10204
38	NPM 6" Fresh Air Inlet Kit	K20010	K20010	K20010
39	7 X 3 X 1/2 Revcor Wheel 108698.....	X01401	X01401	X01401
40	2939-X-11-41620.0001 AMB Light.....	X01468	X01468	X01468
41	1-1/4 x 2-1/2 STD Black Nipple.....	X02307	X02307	X02307
42	3/8" Flat Washers.....	X09650	X09650	X09650
43	1/4" x 1/8" Tubing to FP 90° 70-42.....	832000	832000	832000
44	1/4 x 1/8 BR 90 Comp. EL TU-MP 69-42	X02676	X02676	X02676
45	1/4" HEX Nipple	X02622	X02622	X02622
46	1/4" Model 740 Ball Valve	980030	980030	980030
47	1 x 2 STD BLK Pipe Nipple (Flow Drilled).....	X02799	X02799	X02799
48	1-1/4" Alum. Orifice	X04365	M11109	-----
49	1/4" Wing Nut.....	X09603	X09603	X09603
50	NO. 5B Conduit Clamp.....	X09917	X09917	X09917
51	Premix Diffuser Assembly	K20203	K20203	K20203
52	Pilot Tubing	-----	-----	-----
53	"On-Off" CRTP1A9M9 SPST Rocker Switch	140700	140700	140700
54	O Ring Seal.....	534650	534650	534650
55	SC-1 1" Pipe Plastic Cap	877550	877550	877550
56	IS2 Air Switch w/SPDT Contacts Blocked Flue +0.3"	171040	171040	171040
57	IS2 Air Switch w/SPDT Contacts Combustion +0.9".....	171080	171080	171080
58	IS2 Air Switch w/SPDT Contacts Sealed Intake -0.3"	171070	171070	171070
59	NPM 4.25" Wide Housing Panel Box Bracket.....	K10304	K10304	K10304
60	5/16" x 3/16" I.D. PVC Tubing.....	Y00811	Y00811	Y00811

For all burner replacement parts contact: Power Flame www.powerflame.com

GPV BURNER ASSEMBLY

(Part numbers are listed on page 6)





State Water Heater Parts Fulfillment
125 Southeast Parkway
Franklin, TN 37068
1-800-433-2545
www.statewaterheaters.com

Copyright © 2017, All rights reserved.