

**MODELS:**

120(A)

150(A)

199(A)\*

250(A)

**Series: 300/301**

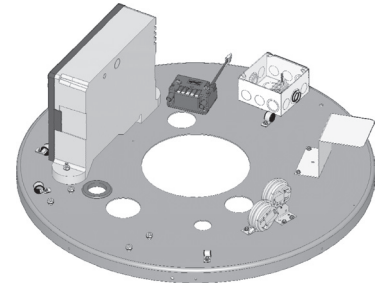
**DISPLAY CONTROL ASSEMBLY**  
See Page 2



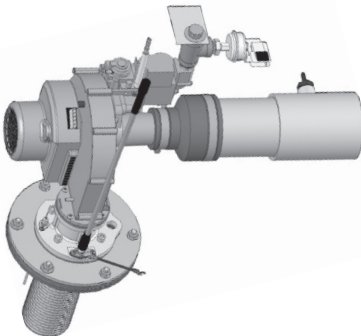
**MODELS 120(A)-250(A)**  
See Page 2



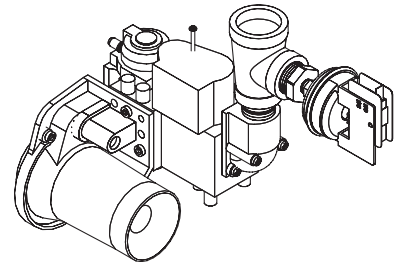
**INNER COVER CONTROL ASSEMBLY**  
See Page 3



**BLOWER/BURNER ASSEMBLY**  
See Page 4

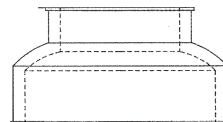
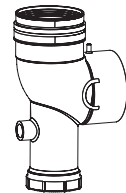
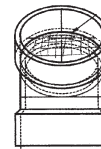
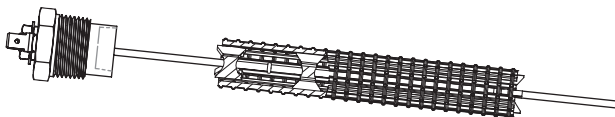


**GAS VALVE(S)**  
See Page 4



**EXHAUST ELBOW ASSEMBLY - VENT KIT ASSEMBLY**  
See Page 5 & 6

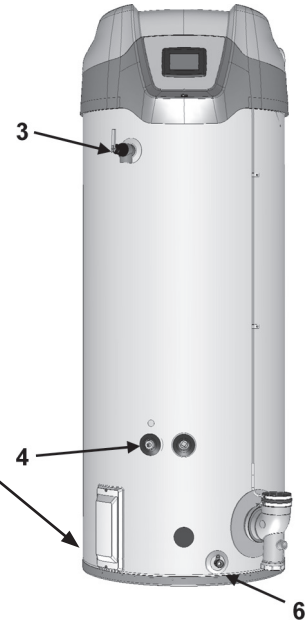
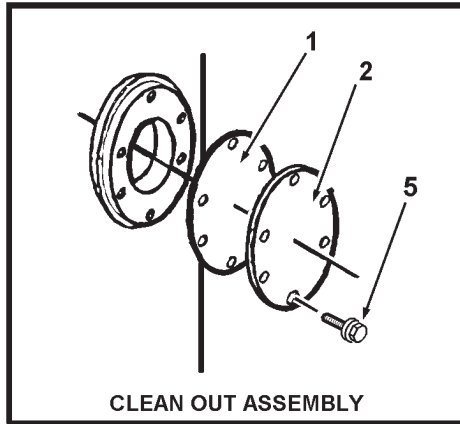
**POWERED ANODE**  
See Page 3



\*RUF model only available in the 199 model size.

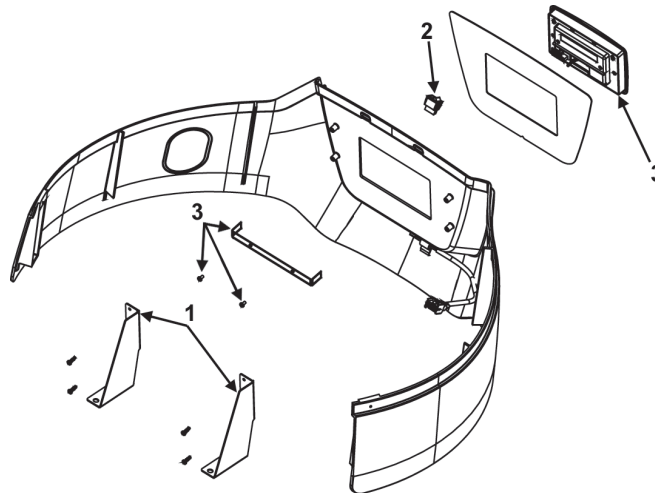
## CLEANOUT ASSEMBLY / TEMPERATURE & PRESSURE VALVE

Item	Description	120(A)	150(A)	199(A)	250(A)
		300/301	300/301	300/301	300/301
1	Cleanout Gasket .....	100109686 .....	100109686 .....	100109686 .....	100109686 .....
2	Cleanout Plate .....	100110656 .....	100110656 .....	100110656 .....	100110656 .....
3	T & P Valve .....	100110714 .....	100110719 .....	100110719 .....	100110719 .....
4	Lower Temperature Probe .....	100271886 .....	100271886 .....	100271886 .....	100271886 .....
5	Thread Forming Screws .....	100109688 .....	100109688 .....	100109688 .....	100109688 .....
6	Drain Valve .....	100263911 .....	100263911 .....	100263911 .....	100263911 .....



## DISPLAY CONTROL ASSEMBLY

Item	Description	120(A)	150(A)	199(A)	250(A)
		300/301	300/301	300/301	300/301
1	Display Band Mount .....	100111047 .....	100111047 .....	100111047 .....	100111047 .....
2	Enable/Disable Switch .....	100096025 .....	100096025 .....	100096025 .....	100096025 .....
3	User Interface Module - UIM .....	100312669 .....	100312669 .....	100312669 .....	100312669 .....

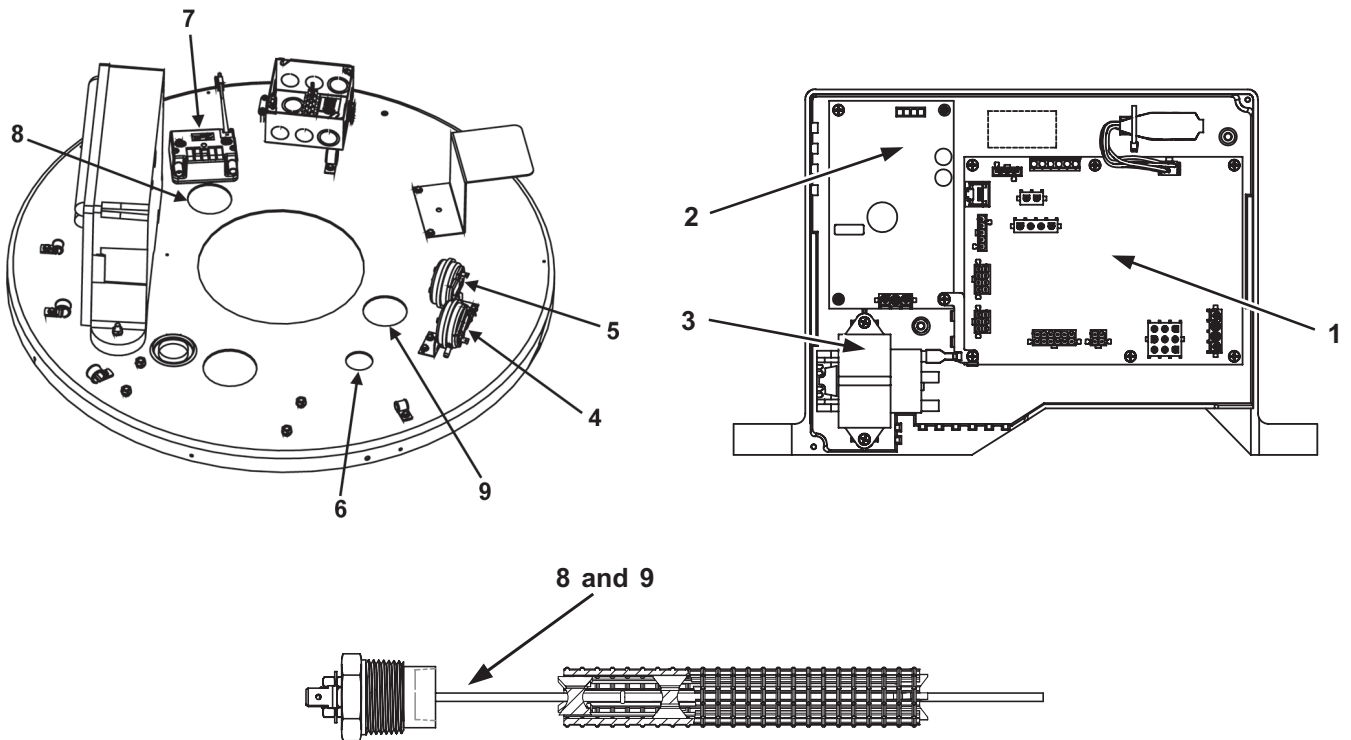


### INNER COVER CONTROL ASSEMBLY - MODELS 120(A) & 150(A)

Item	Description	120(A) 300/301	150(A) 300/301
1.....	CCB Board-Programmed .....	100312667.....	100312667
2.....	Power Supply Board .....	100113155.....	100113155
3.....	Transformer .....	100113157.....	100113157
4.....	Switch-Blocked Outlet.....	100187859.....	100187859
5.....	Switch-Blocked Inlet .....	100113143.....	100113143
6.....	Upper Temperature Probe.....	100271885.....	100271885
7.....	Spark Ignition Transformer.....	100271921.....	100271921
8.....	Powered Anode-Short.....	N/A.....	100111024
9.....	Powered Anode-Long .....	100111286.....	100111023

### INNER COVER CONTROL ASSEMBLY - MODELS 199(A) & 250(A)

Item	Description	199(A) 300/301	250(A) 300/301
1.....	CCB Board-Programmed .....	100312667 .....	100312667
2.....	Power Supply Board .....	100113155 .....	100113155
3.....	Transformer .....	100113157 .....	100113157
4.....	Switch-Blocked Outlet.....	100187859 .....	100187859
5.....	Switch-Blocked Inlet .....	100113143 .....	100113143
6.....	Upper Temperature Probe.....	100271885 .....	100271885
7.....	Spark Ignition Transformer.....	100271921 .....	100271921
8.....	Powered Anode-Short.....	100111024 .....	100111024
9.....	Powered Anode-Long .....	100111023 .....	100111023

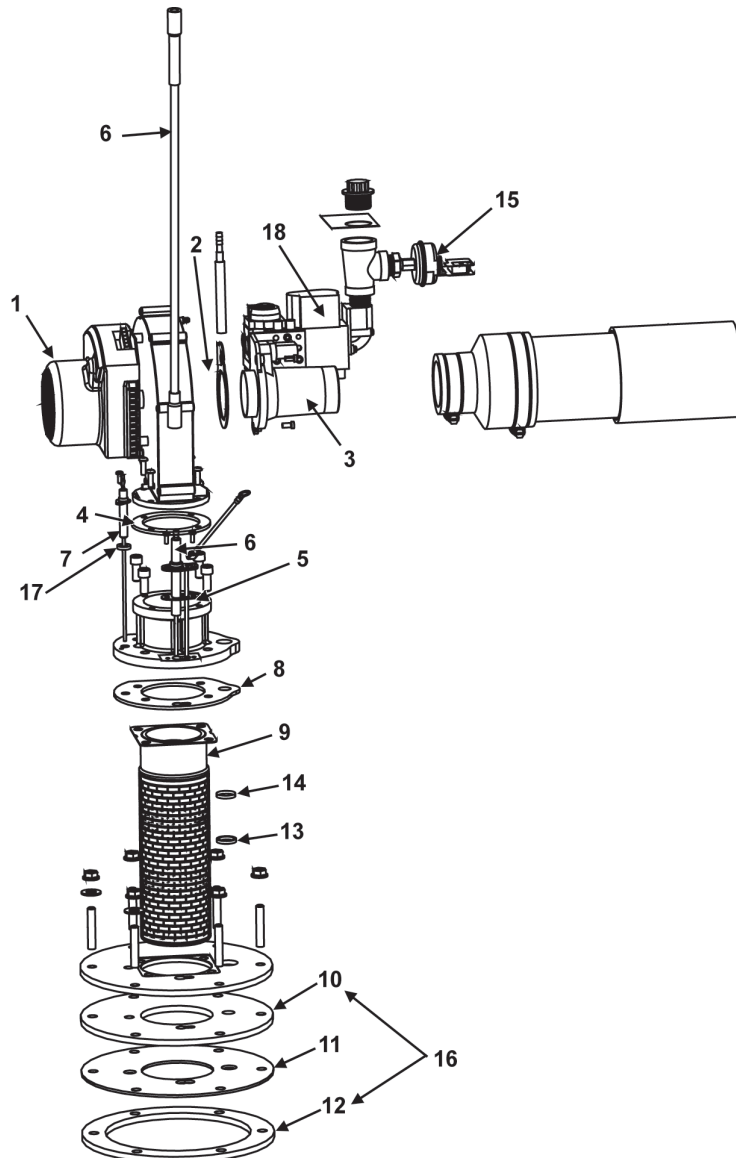


## BLOWER / BURNER ASSEMBLY - MODELS 120(A) - 250(A)

Item	Description	120(A) 300	120(A) 301	150-250(A) 300	150-250(A) 301
1	Blower	100271839	100271839	100271923	100271923
2	Gasket - Cork/Venturie	**	**	**	**
3	Gas Valve / Venturie Assembly	100187872	100187873	100187874	100187875
4	Gasket	100111745	100111745	100111745	100111745
5	Gasket - Spark Rod	100078771	100078771	100078771	100078771
6	Rod - Spark	100271888	100271888	100271888	100271888
7	Flame Sensor Rod	100113151	100113151	100113151	100113151
8	Gasket - Burner	100187867	100187867	100187867	100187867
9	Burner Assembly	100187865	100187865	100187866	100187866
10	Gasket - Insulation	N/A	N/A	100187871	100187871
11	Shield - Heat	N/A	N/A	100187870	100187870
12	Gasket	100111744	100111744	100187869	100187869
13	Gasket - Viewport	100110902	100110902	100110902	100110902
14	Window - Observation	100110901	100110901	100110901	100110901
15	Low Gas Pressure Switch	100271883	100111032	100271883	100111032
16	Burner Plate Gaskets***	N/A	N/A	100191119	100191119
17	Flame Rod Gasket	100072809	100072809	100072809	100072809
18	Rectifier Plug Assembly	100055325	100055325	100055325	100055325

\*\* Supplied with Gas Valve/Venturi Assembly.

\*\*\* Combines Kits 10 & 12



### 3" EXHAUST CONNECTOR AND VENT KIT ASSEMBLIES - MODELS 120(A) - 250(A)

120(A) - 250(A)  
300 /301

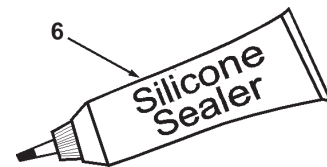
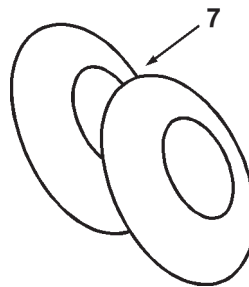
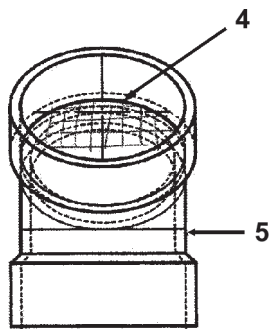
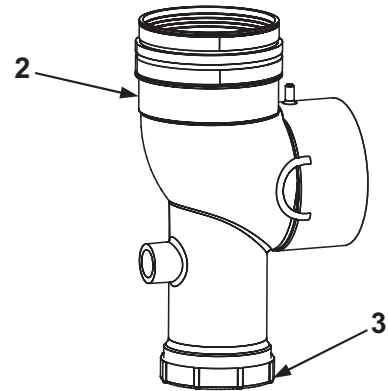
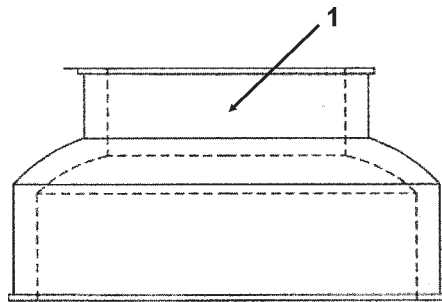
Item Description

#### EXHAUST ELBOW AND FITTINGS

- 1 ..... Exhaust Connector (2.50" x 4.00").....100110947
- 2 ..... Exhaust/Condensate Elbow Assembly.....100187862
- 3 ..... Condensate Trap Gasket.....100228369

#### VENT KIT PARTS

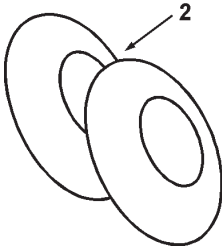
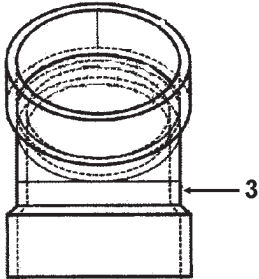
- 4 ..... Intake/Exhaust Screen.....100110830
- 5 ..... PVC 45 Degree Elbow w/Screen (PVC).....100108686
- 5 ..... PVC 45 Degree Elbow (Canada, ULC S636) .....100055670
- 6 ..... Silicone .....100109821
- 7 ..... Wall Plate.....100109820



OPTIONAL VENT KIT ASSEMBLY FOR 4" VENTING #100110989 (U.S.), #100111111 (CANADA)

120(A) thru 250(A)  
300 / 301

Item	Description
1	..... Silicone.....
2	..... Wall Plate .....
3	..... Vent Terminal Assembly 4".....



**NOTES:**

**WATER HEATER PARTS FULFILLMENT**  
**1-800-821-2017**

Copyright © 2019, All rights reserved.