

PREMIER® POWER VENT DV

96% Efficient

Power Direct Vent Residential Gas Water Heaters

The 100,00 BTU Premier® Power Vent DV residential gas water heater is equipped with a fully submerged, spiral-shaped condensing heat exchanger and 50 gallons of storage capacity. This design provides a much greater heat transfer surface than a standard straight flue tube, resulting in 96% thermal efficiency and higher hot water output* than comparable 80% efficient water heaters. With a 22" diameter, the Premier® Power Vent DV can be installed in less space than a 75-gallon unit, yet delivers greater recovery and lower operating costs.



Series 124/125

Power Direct Vent Design for Installation Versatility

- Modular blower, with 120V, 60Hz electrical system (5 amps or less)
- Can be vented vertically thru-the-roof or horizontally thru-the-wall
- Combined horizontal and vertical vent runs terminating through outside wall, using PVC, CPVC or ABS pipe as follows:
 - 2" pipe allows vent runs up to 45 equivalent feet
 - 3" pipe allows vent runs up to 128 equivalent feet
- Optional concentric and sidewall termination kits available
- 120v 3-prong power chord

Available in Natural Gas or Propane

ENERGY STAR® Qualified



Side-Mounted Taps for Recirculating Systems

- Hot and cold "side taps" allow the Premier® Power Vent DV to be used for "combination" systems for water heating plus space heating, radiant floor heating or other applications requiring a recirculating hot water loop
- Plugs for recirculating taps are factory-installed

Advanced Electronic Control

- Large LCD display • Precise temperature control • Advanced diagnostics
 - iCOMM™ Compatible and can be monitored from remote locations.
- Call 1.888.WATER02 For more information.



Glasslined Tank with Heavy Duty Anode Rods

- Provides superior protection against corrosion
- Commercial-grade glass lining protects all "water side" tank surfaces including the inside of internal heat exchanger exposed to condensate

Top-Fired Low NOx Burner

- "Eco-Friendly" design reduces NOx emissions and complies with ultra-low NOx emission requirements of less than 14 ng/j

CSA Certified and ASME Rated T&P Relief Valve

Compliance

- Meets the thermal efficiency and standby loss requirements of the U.S. Department of Energy and current edition of ASHRAE/IESNA 90.1
- Design-certified by Underwriters Laboratories (UL) according to ANSI Z21.10.3-CSA 4.3 Standards governing storage-type water heaters



GAS-FIRED



Six-Year Limited Parts And Tank Warranty

- Consult written warranty shipped with water heater or contact State Water Heater for complete warranty information

* 4.3 GPM continuous flow, based on 65°F inlet water temperature and 110°F outlet water temperature.

For more information on State Water Heaters®, contact:
 State Water Heaters
 500 Tennessee Waltz Parkway, Ashland City, TN 37015
 800-365-0024 Toll-free USA
 www.statewaterheaters.com

SRGSS02508

Revised April 2013

SOLID.STATE.



PREMIER® POWER VENT DV

96% Efficient Power Direct Vent Residential Gas Water Heaters

SPECIFICATIONS

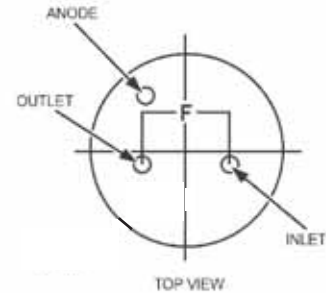
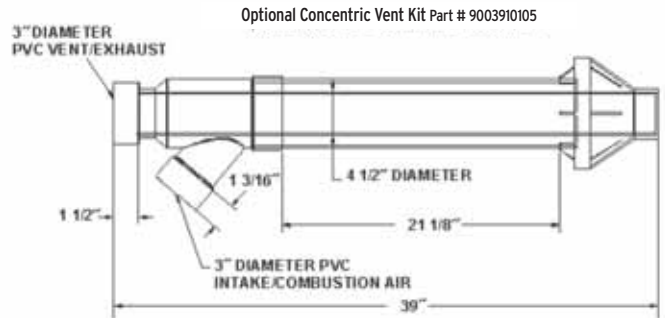
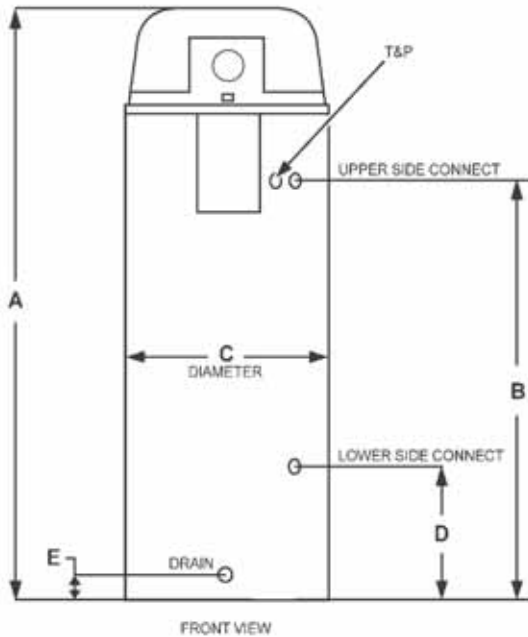
MODEL NUMBER	BTU INPUT PER HOUR	TANK SIZE GALLONS	FIRST HOUR DELIVERY GALLONS	RECOVERY-GALLONS PER HOUR AT 90°F RISE	SHIPPING WEIGHT LBS.
GP6 50 YTPDT	100,000	50	164	129	255

All models—Maximum Supply Pressure: 14 inches w.c. (3.48 kPa) Minimum Supply Pressure Natural Gas: 3.5 inches w.c. (.87 kPa). Minimum Pressure Propane: 8.0 inches w.c. (1.99 kPa). Minimum Pressure must be maintained under both load and no-load (static and dynamic) conditions.
120v 3-prong power chord

DIMENSIONS

GP6 50 YTPDT	A	B	C	D	E	F
INCHES	66-3/4	49-1/4	22	15-3/4	3	8

Top inlet and outlet: 3/4" male NPT
Side inlet and outlet: 3/4" female NPT
Gas inlet: 1/2" NPT



*INSTALL IN ACCORDANCE WITH LOCAL CODES.

SUGGESTED SPECIFICATION

(Natural or Propane) gas water heater(s) shall be Premier® Power Vent DV model # GP6 50 YTPDT, with 96% thermal efficiency, a storage capacity of 50 gallons, an input rating of 100,000 BTU per hour, a recovery rating of 129 gallons per hour at 90°F rise and a maximum hydrostatic working pressure of 150 psi. Water heater(s) shall be of power direct vent design, using 2" or 3" PVC pipe for horizontal and/or vertical vent runs. Water heater(s) shall have: 1: Glasslined steel tank construction and a spiral-shaped heat exchanger placed entirely inside the tank, which shall be glasslined on the flue gas side to protect against acidic condensate. 2: Advanced electronic control with large LCD display and advanced diagnostics. 3: A 6-year limited warranty on parts and tank. Water heater(s) shall meet the thermal efficiency and standby loss requirements of the U.S. Department of Energy and current edition of ASHRAE/IESNA 90.1 and be design-certified by UL (Underwriters Laboratories) according to ANSI Z21.10.3-CSA4.3 standards governing storage tank water heaters. Water heater should incorporate the iCOMM™ system for remote monitoring, leak detection and fault alert.

For complete information on limited warranties, consult written warranty or contact the State Customer Care Center at 1-800-365-0024.

State Industries, Inc. reserves the right to make product changes or improvements without prior notice.

For more information on State Water Heaters®, contact:
State Water Heaters
500 Tennessee Waltz Parkway, Ashland City, TN 37015
800-365-0024 Toll-free USA
www.statewaterheaters.com

SOLID. STATE.

